



Features:

- No UV or IR light radiation.
- Provide 120° beam angles.
- Easy Installation:
- Very Low Power Consumption:
Less than 50 Watts
- Long lifetime: 25000 hours (L₇₀).
- Sturdy Construction:
UV Stabilized toughened glass and Aluminum alloy Lamp Base.
- High CRI: 70-85
- Correlated Color Temperature: 2700-12000K
- Operating temperature: -20°C ~ +60°C.
- AC100~240 V input.
- LED type: 1 Module LED

Benefits:

- Energy Cost Savings:
Over 60% Compared to Incandescent.
- Solid-State:
High-Shock & High-Vibration Resistant,
Both Electrical and Mechanical
- Eco-Friendly:
No Mercury, No Lead Content
- No Hazardous Emissions:
No UV or IR Radiation
- Constant Light Output:
Even Lighting, Non-Halation

Application:

- Shopping mall lighting.
- Exhibition hall lighting
- Parking lot lighting.
- Gymnasium lighting
- park, sculpture and national green
lighting project
- Tourist attractions lighting
- Green area lighting.
- The building elevation of lighting
- Other light sources.

Product Specifications:

Diffuser	Toughened glass
Input Voltage	AC100~240V
IP	IP65
Wattage	50W
Power Factor	PF ≥ 0.9
Operating frequency	50-60Hz
Operating Temperature	-20°C ∞ +60°C
Storage Temperature	-30°C ∞ +70°C
N.W(Kg)	2.8Kg
Certification	CE Approved; RoHS Compliant

Product Selection Guide:

Product	Beam Angle	Total Lumens(lm)	Color Temp /Wavelength	Color	CRI
FL-HWW50W1C	120°	4600±5%	2900~3500K	Warm White	≥ 75
FL-HW50W1C	120°	4800±5%	6000-6500K	White	≥ 70

FL/-H/XX/50W/1/C

① ② ③ ④ ⑤ ⑥

① FL: Product Type

② H: High Power LED

③ XX: W (White Color)

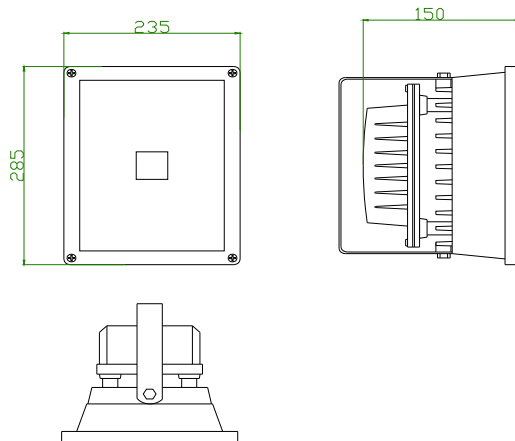
WW (Warm White)

④ 50W: the Single LED Power is 50W

⑤ 1: 1pcs of LED

⑥ C: AC100-240V input

Product Dimensions:



Notes:

1. All dimensions unit in mm
2. Tolerances are ± 0.5 mm unless otherwise noted.

Package Dimension

