



Features:

- No UV or IR light radiation.
- Provide 120° beam angles.
- Easy Installation:
Using Existing G13 Fixture
- Very Low Power Consumption:
Less than 18 Watts
- Long lifetime: 25000 hours (L₇₀).
- Sturdy Construction:
PC Cover and Aluminium alloy Lamp Shell.
- High CRI: 70-85
- Correlated Color Temperature: 2800-7000K
- Operating temperature: -20°C~+60°C.
- 100-240V AC input.
- LED Type :2835 LED ,0.2W/pcs

Benefits:

- Energy Cost Savings:
Over 60% Compared to Incandescent.
- Solid-State:
High-Shock & High-Vibration Resistant,
Both Electrical and Mechanical
- Eco-Friendly:
No Mercury, No Lead Content
- No Hazardous Emissions:
No UV or IR Radiation
- Constant Light Output:
Even Lighting, Non-Halation

Application:

- Conferences, meeting rooms, show rooms, showcases Lighting
- Villa, Residential houses Lighting
- Art Gallery and Museum Lighting
- Factories, plants, warehouses, offices Lighting
- Parking lot lighting

Product Specifications:

Lamp Shell	Aluminium alloy and PC
Input Voltage	100-240V AC
Wattage	18 W
Power Factor	PF \geq 0.92
Operating frequency	50-60Hz
Operating Temperature	-20°C \sim +60°C
Storage Temperature	-30°C \sim +70°C
Net Weight per piece (g)	328
Certification	CE Approved; RoHS Compliant
Size	ϕ 26*1200mm

Product Selection Guide:

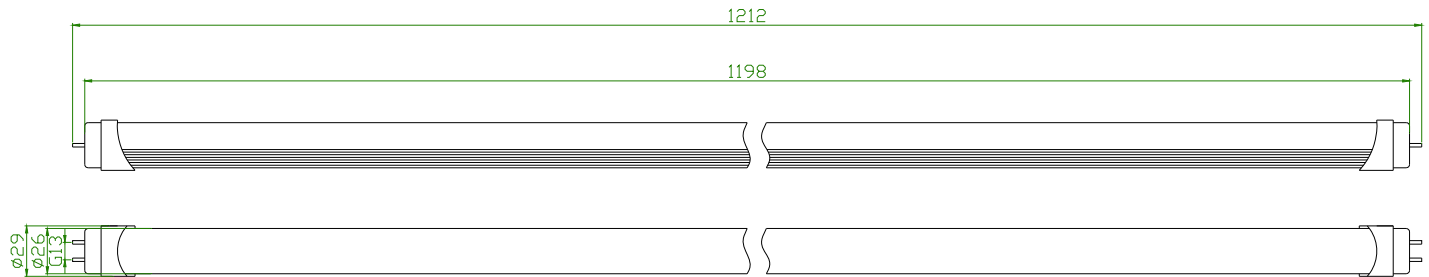
Product	Beam Angle	Total Lumens	CCT	Color	CRI
T8-WW96C	120°	1760 \pm 5%	2700-3500K	Warm White	\geq 80
T8-W96C	120°	1850 \pm 5%	6000-6500K	White	\geq 70

T8-/XX/96/C

① ② ③ ④

- ① T8: Product type
- ② XX: W(White) WW (Warm White)
- ③ 96: 96pcs of LED
- ④ C: AC100~240V input

Product Dimensions:

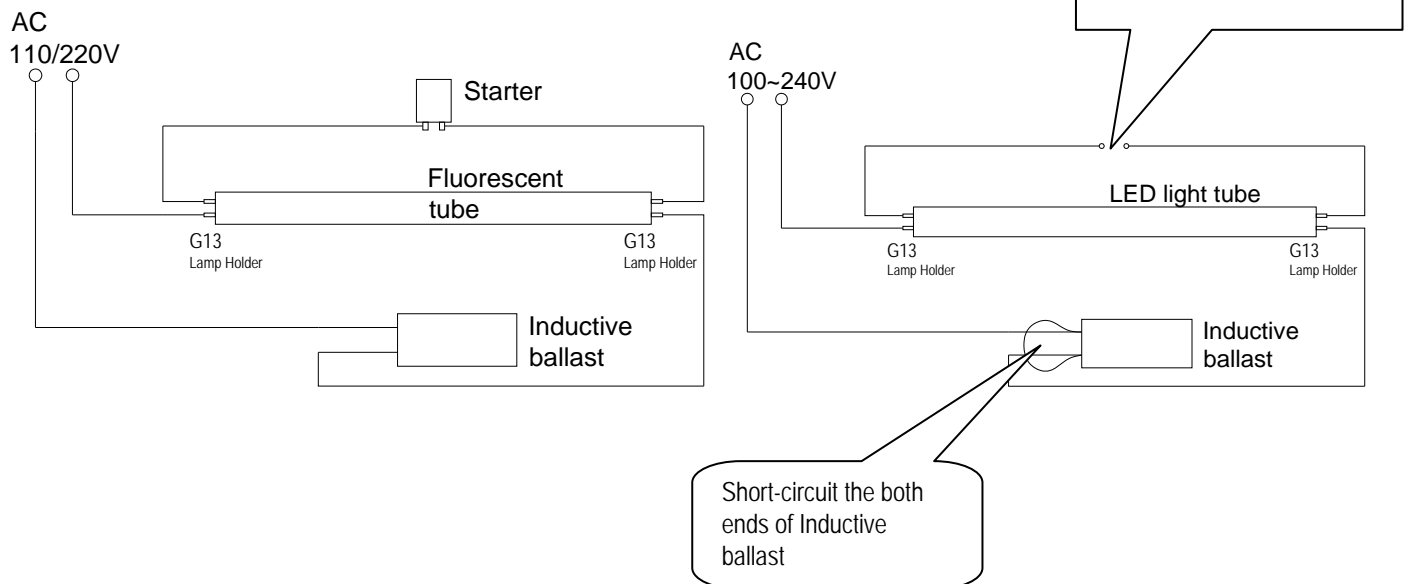


Notes:

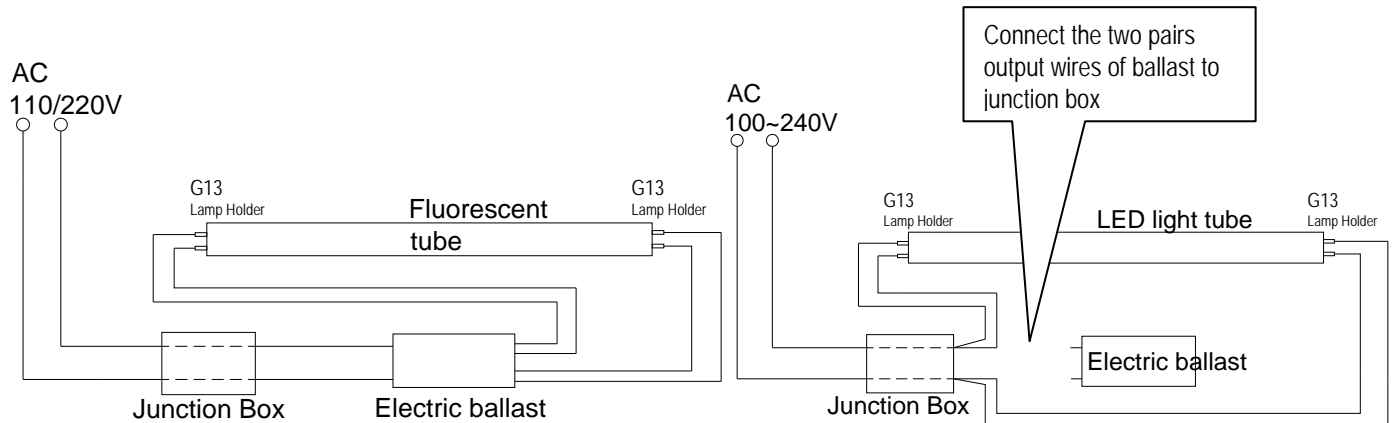
1. All dimensions unit in mm.
2. Tolerances are $\pm 0.5\text{mm}$ unless otherwise noted.

Wiring Diagram:

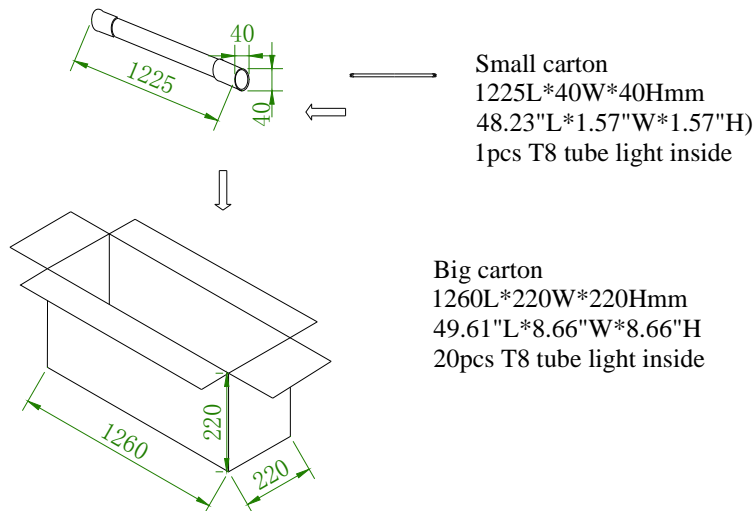
● Lamp bracket of inductive ballast :



● Lamp bracket of electronic ballast :



Packing Dimensions:



Installation Instructions and Warnings:

- Turn off power before inspection, installation, or removal.
- Not for use where exposed to the weather
- Do not use in totally enclosed fixtures.
- Not for use with dimmers.