



Features:

- No UV or IR light radiation.
- Provide 155° beam angles.
- Easy Installation:
- Very Low Power Consumption:
Less than 18Watts
- Long lifetime: 25000 hours (L₇₀).
- Sturdy Construction:
Organic glass Light guide plate and Aluminium alloy Lamp Shell.
- High CRI: 75-85
- Correlated Color Temperature: 2700-12000K
- Operating temperature: -20°C ~+60°C.
- 100~240V AC input.
- LED type:5050 LED
- 24 key infrared RGB controller

Benefits:

- Energy Cost Savings:
Over 60% Compared to Incandescent.
- Solid-State:
High-Shock & High-Vibration Resistant,
Both Electrical and Mechanical
- Eco-Friendly:
No Mercury, No Lead Content
- No Hazardous Emissions:
No UV or IR Radiation
- Constant Light Output:
Even Lighting, Non-Halation

Application:

- Hotel Lighting/Conference/Meeting room
- Exhibition Hall Lighting
- Display / Cabinet / Kiosk Lighting
- Architectural Lighting
- School Lighting
- Other Lighting

Product Specifications:

Lamp Shell	Aluminium alloy
Input Voltage	100~240V AC
Light guide plate	Organic glass
Wattage	18W
Power Factor	PF ≥ 0.8
Remote control mode	24 key infrared RGB controller
Operating Frequency	50-60Hz
Operating Temperature	-20°C ∞ +60°C
Storage Temperature	-30°C ∞ +70°C
Net Weight per piece (Kg)	1.27Kg
Certification	CE Approved; RoHS Compliant
Fixing Ways	recessed and suspending or surface mounted
Size	300*300*11.5mm

Product Selection Guide:

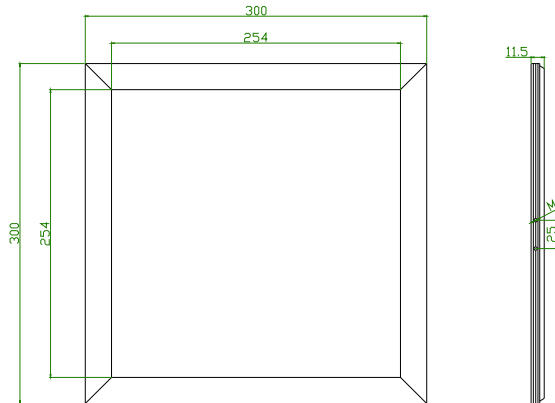
Product	Beam Angle	CCT	Color	CRI
PL-F84C-3030	155°	-----	RGB Full color	-----

PL-/F/84/C/3030

① ② ③ ④ ⑤

- ① PL: Panel Light
- ② F: RGB full color
- ③ 84: 84pcs of LEDs
- ④ C: AC100-240V
- ⑤ 3030: Product size

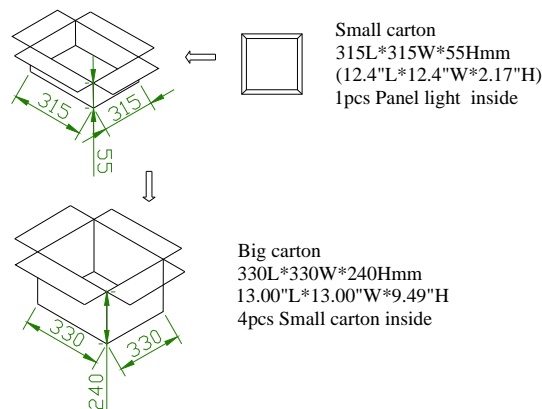
Product Dimensions:



NOTES:

1. All dimensions unit in mm
2. Tolerances are ± 0.5 mm unless otherwise noted.

Package Dimension:



Installation Instructions and Warnings:

- Please always use the light out of its package.
- Keep packaging material away from the reach of children and pets. Risk of suffocation!
- Caution! The packaging contains small parts that may be swallowed by children.
- Never allow the light to come into contact with open flames or external heat source.
- Prior to cleaning the light, make sure it has been disconnected from the power supply.
- Never use any chemical or corrosive for cleaning.
- Not for use where exposed to the weather