

Features:

- No UV or IR light radiation.
- Provide 155° beam angles.
- Easy Installation:
- Very Low Power Consumption:
Less than 36Watts
- Long lifetime: 25000 hours (L₇₀).
- Sturdy Construction:
Organic glass Light guide plate And Aluminium alloy Lamp Shell.
- High CRI: 70-85
- Correlated Color Temperature: 2700-7000K
- Operating temperature: -20°C~+60°C.
- 100~240V AC input.
- LED type: 3014 LED

Benefits:

- Energy Cost Savings:
Over 60% Compared to Incandescent.
- Solid-State:
High-Shock & High-Vibration Resistant,
Both Electrical and Mechanical
- Eco-Friendly:
No Mercury, No Lead Content
- No Hazardous Emissions:
No UV or IR Radiation
- Constant Light Output:
Even Lighting, Non-Halation

Application:

- Hotel Lighting
- Exhibition Hall Lighting
- Display / Cabinet / Kiosk Lighting
- Architectural Lighting
- School Lighting
- Other Lighting

Product Specifications:

Lamp Shell	Aluminium alloy
Input Voltage	100~240V AC
Light guide plate	Organic glass
Wattage	36W
Power Factor	PF ≥ 0.8
Operating Frequency	50-60Hz
Operating Temperature	-20°C ∞ +60°C
Storage Temperature	-30°C ∞ +70°C
Net Weight per piece (Kg)	3.76Kg
Certification	CE Approved; RoHS Compliant
Fixing ways	Recessed and surface mounted or suspending
Size	600*600*11mm

Product Selection Guide:

Product	Beam Angle	Total Lumens	CCT	Color	CRI
PL-WW320C-6060	155°	2400 ± 5%	2700-3500K	Warm White	≥ 80
PL-W320C-6060	155°	2600 ± 5%	5500-6500K	White	≥ 70

PL-/XX/320/C/6060

① ② ③ ④ ⑤

① PL: Panel Light

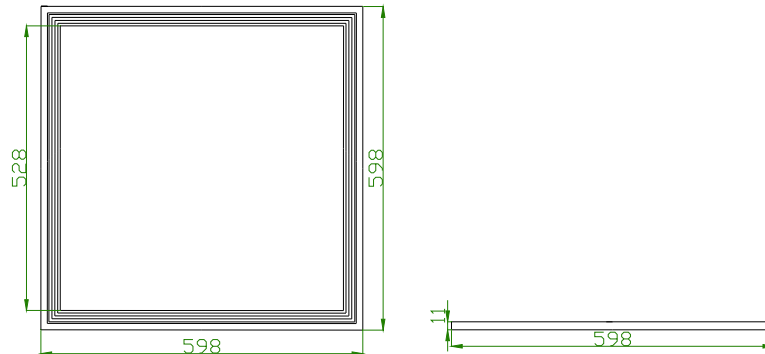
② XX: WW(Warm white) W(White)

③ 320: 320 pcs of LED

④ C: AC100~240V

⑤ 6060: Product size

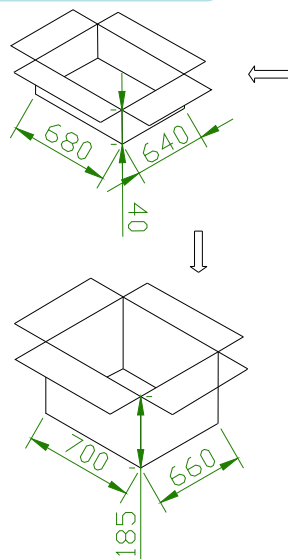
Product Dimensions:



NOTES:

1. All dimensions unit in mm
2. Tolerances are ± 0.5 mm unless otherwise noted.

Package Dimension



Small carton
680L*640W*40Hmm
(26.77"L*25.20"W*1.58"H)
1pcs Panel light inside

Big carton
700L*660W*185Hmm
27.56"L*25.98"W*7.28"H
4pcs Small carton inside

Installation Instructions and Warnings:

- Turn off power before inspection, installation, or removal.
- Not for use where exposed to the weather
- Do not use in totally enclosed fixtures.
- Not for use with dimmers.