



Features:

- No UV or IR light radiation.
- Provide 50° beam angles.
- Easy Installation:
- Very Low Power Consumption:
Less than 9Watts
- Long lifetime: 25000 hours (L₇₀).
- Sturdy Construction:
UV Stabilized toughened glass and Aluminium alloy Lamp shell.
- High CRI: 75-85
- Correlated Color Temperature:2700-12000K
- Operating temperature: -20°C~+60°C.
- AC 24V input.

Benefits

- Energy Cost Savings:
Over 60% Compared to Incandescent.
- Solid-State:
High-Shock & High-Vibration Resistant,
Both Electrical and Mechanical
- Eco-Friendly:
No Mercury, No Lead Content
- No Hazardous Emissions:
No UV or IR Radiation
- Constant Light Output:
Even Lighting, Non-Halation

Application:

- Market Lighting.
- Parking lot lighting.
- Tourist attractions lighting
- Green area lighting.
- Other light sources.

Product Specifications:

Diffuser	PMMA/Glass
Input Voltage	AC 24V
IP	IP67
Wattage	9W
Power Factor	PF ≥ 0.7
Operating frequency	50-60Hz
Operating Temperature	-20°C ∞ +60°C
Storage Temperature	-30°C ∞ +70°C
N.W(Kg)	1.4Kg
Certification	CE Approved; RoHS Compliant

Product Selection Guide:

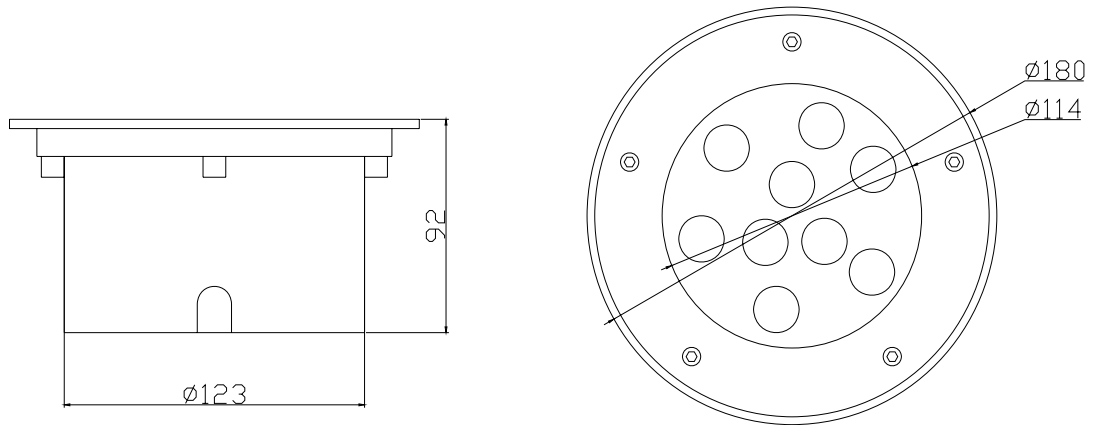
Product	Beam Angle	Total Lumens(lm)	Color Temp /Wavelength	Color	CRI
UG-HF1W9SR	50°	---	Red 624nm	Full color	---
			Green 525nm		
			Blue 470nm		

UG-H/ F/1W/9/S/R

① ② ③ ④ ⑤ ⑥ ⑦

- ① UG: Product Type.
- ② H: High Power LED
- ③ F: F(RGB Full Color)
- ④ 1W: The Single LED Power is 1W
- ⑤ 9: 9 pcs of LED
- ⑥ S: AC24V input
- ⑦ R: Round

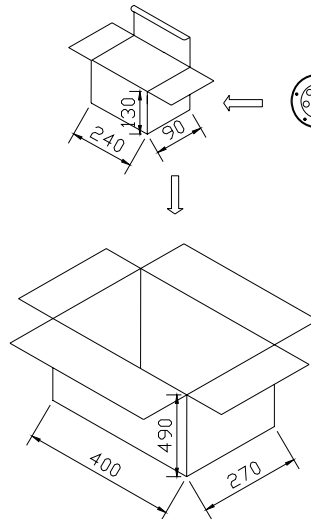
Product Dimensions:



Notes:

1. All dimensions unit in mm
2. Tolerances is ± 0.5 mm unless otherwise noted.

Package Dimension



Small carton
240L*90W*130Hmm
(9.45"L*3.54"W*5.12"H)
1pcs Under ground light inside

Big carton
400L*270W*490Hmm
15.75"L*10.63"W*19.29"H
12pcs Under ground lights inside

Installation Instructions and Warnings:

- Turn off power before inspection, installation, or removal.
- Do not use in totally enclosed fixtures.
- Not for use with dimmers.