

# Infrared Remote-control Receiver Module

## Technical Data Sheet

Part No.: M3638



## Features:

- Photo detector and preamplifier in one package High photo sensitivity.
- Improved inner shielding against electrical field disturbance.
- Low power consumption.
- Suitable burst length 10 cycles/burst.
- TTL and CMOS compatibility.
- Improved immunity against ambient light.
- Internal filter for PCM frequency.
- The product itself will remain within RoHS compliant version.

## Descriptions:

The M3638 is miniaturized receivers for infrared remote control systems with the high speed PIN phototransistor and the full wave band preamplifier.

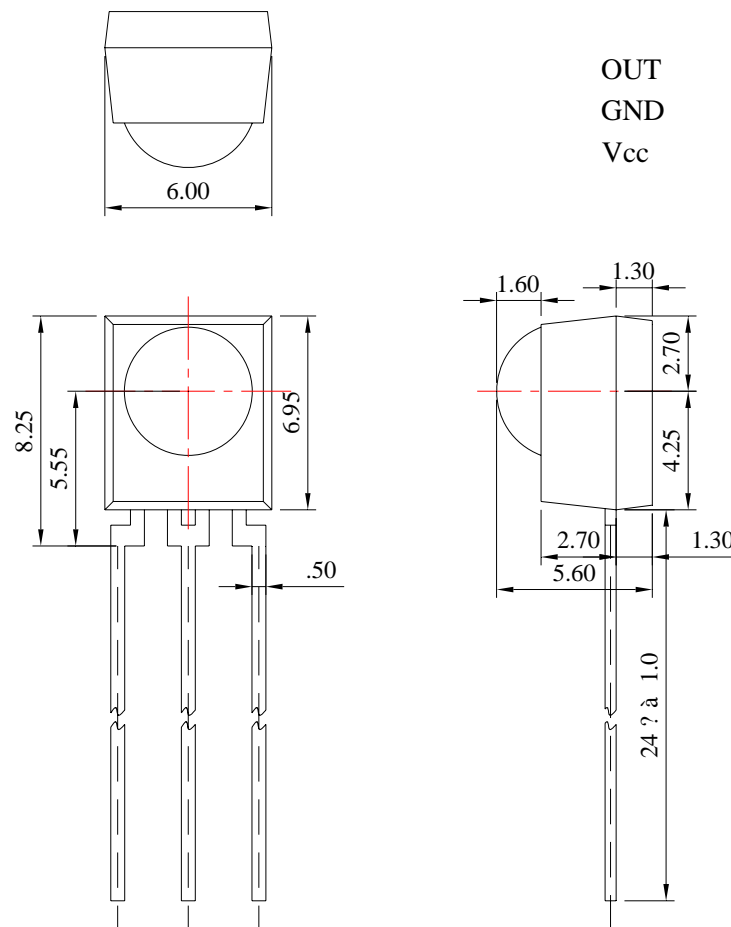
The PIN diode and preamplifier are assembled on lead frame, the epoxy package is designed as an IR filter.

The demodulated output signal can directly be decoded by a microprocessor.

The M3638 is the standard IR remote control receiver series, supporting all major transmission codes.

## Applications:

- Infrared applied system
- Light detecting portion of remote control.
- AV instruments such as Audio, TV, VCR, CD, MD, etc.
- CATV set top boxes.
- The other equipments with wireless remote control.
- Home appliances such as Air-conditioner, Fan, etc.
- Multi-media Equipment.

**Package Dimension:**


Part No.	Chip Material	Lens Color	Source Color
M3638	Silicon	Black	Infrared Receiver

**Notes:**

1. All dimensions are in millimeters (inches).
2. Tolerance is  $\pm 0.25\text{mm}$  (.010") unless otherwise specified.
3. Specifications are subject to change without notice.

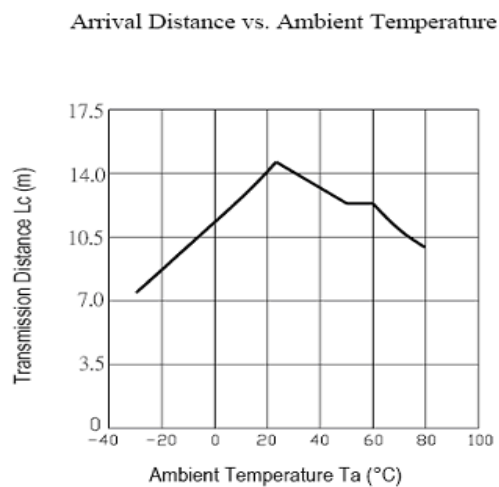
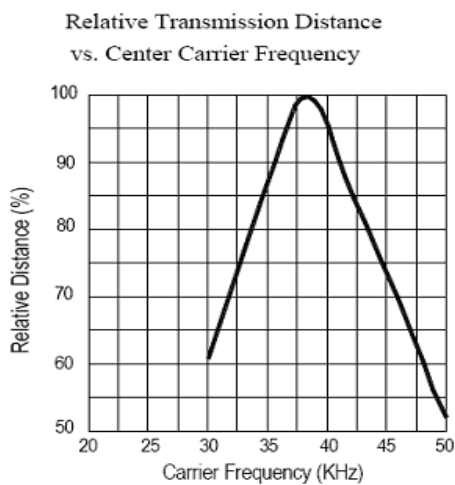
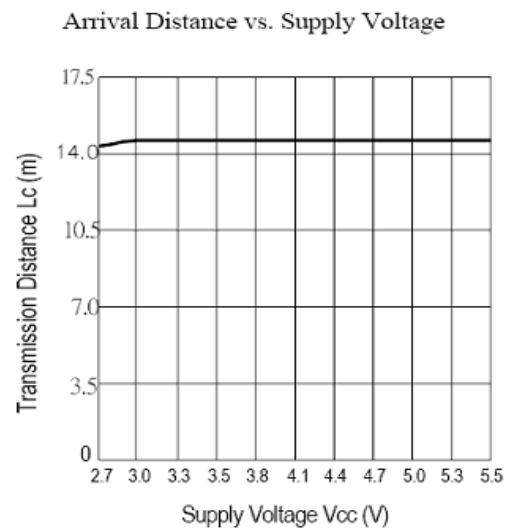
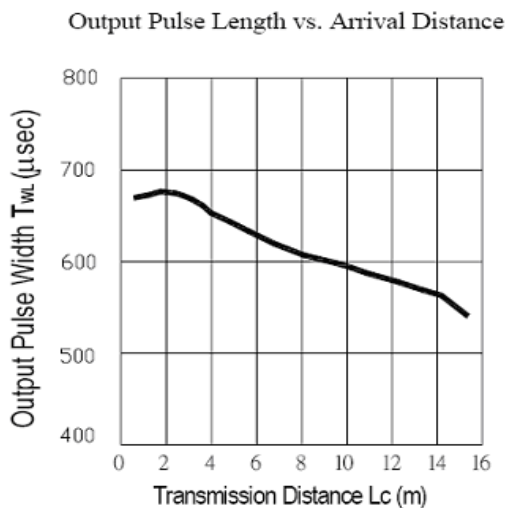
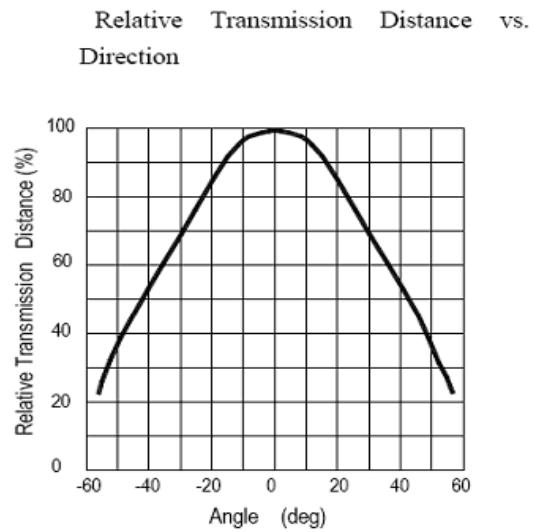
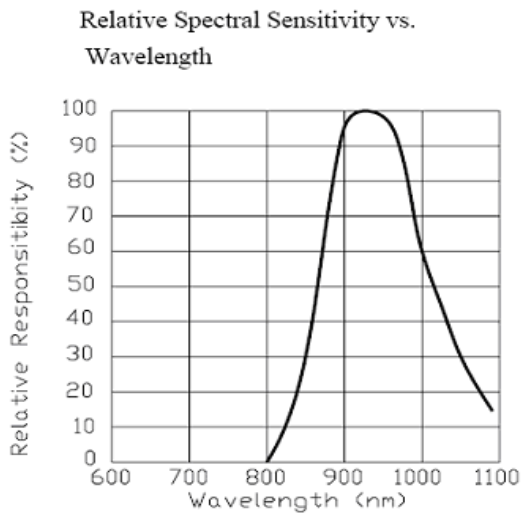
**Absolute Maximum Ratings at Ta=25**

Item	Symbol	Value	Unit
Supply Voltage	Vcc	0~6.00	V
Operating Temperature	Topr	-40 to +85	
Storage Temperature	Tstg	-40 to +100	
Soldering Temperature	Tsol	260 for 5 Seconds	

**Electrical Optical Characteristics at (Ta=25 ,Vcc=5V, fo=38KHz)**

Parameters	Symbol	Min.	Typ.	Max.	Unit	Test condition
DC Supply Voltage	Vcc	---	3.00	---	V	---
Consumption Current	Icc	---	1.30	---	mA	No signal input
B.P.F Center Frequency	Fo	---	38	---	KHz	
Peak Wavelength	$\lambda_p$	---	940	---	nm	
Reception Distance	L0	14	---	---	m	At the ray axis*1
	L45	7	---	---		
Half Angle (Horizontal)	$\theta_h$	---	45	---	deg	
Half Angle (Vertical)	$\theta_v$	---	45	---		
High Level Pulse Width	TH	400	---	800	$\mu$ s	At the ray axis*2
Low Level Pulse Width	TL	400	---	800		
High Level Output Voltage	VH	2.70	---	---	V	
Low Level Output Voltage	VL	---	---	0.25		

Typical Electrical / Optical Characteristics Curves  
(25 Ambient Temperature Unless Otherwise Noted)



### Test Method:

The specified electro-optical characteristic is satisfied under the following conditions at the controllable distance.

#### Measurement place.

A place that is nothing of extreme light reflected in the room.

#### External light.

Project the light of ordinary white fluorescent lamps which are not high frequency lamps and must be less than 10Lux at the module surface. ( $E_e \leq 10\text{Lux}$ )

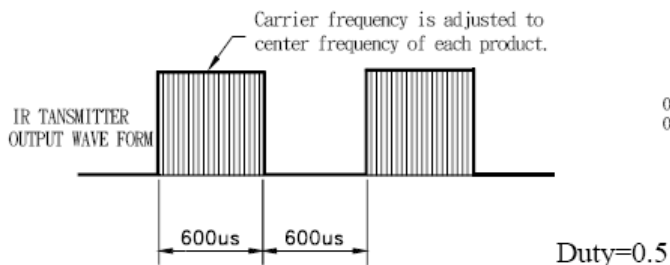
#### Standard transmitter

A transmitter whose output is so adjusted as to  $V_o=400\text{mVp-p}$  and the output wave form shown in Fig.-1. According to the measurement method shown in Fig.-2 the standard transmitter is specified. However, the infrared photodiode to be used for the transmitter should be  $\lambda_p=940\text{nm}$ ,  $\Delta\lambda=50\text{nm}$ . Also, photodiode is used of PD516AD ( $V_R=5\text{V}$ ). (Standard light / Light source temperature  $2856^\circ\text{K}$ ).

#### Measuring system.

According to the measuring system shown in Fig.-3.

Fig.-1 Transmitter Wave Form



D.U.T output Pulse

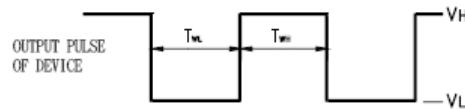


Fig.-2 Measuring Method

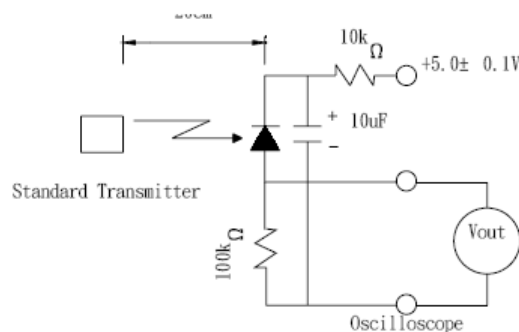
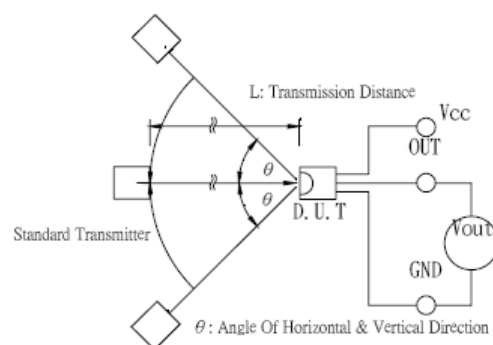
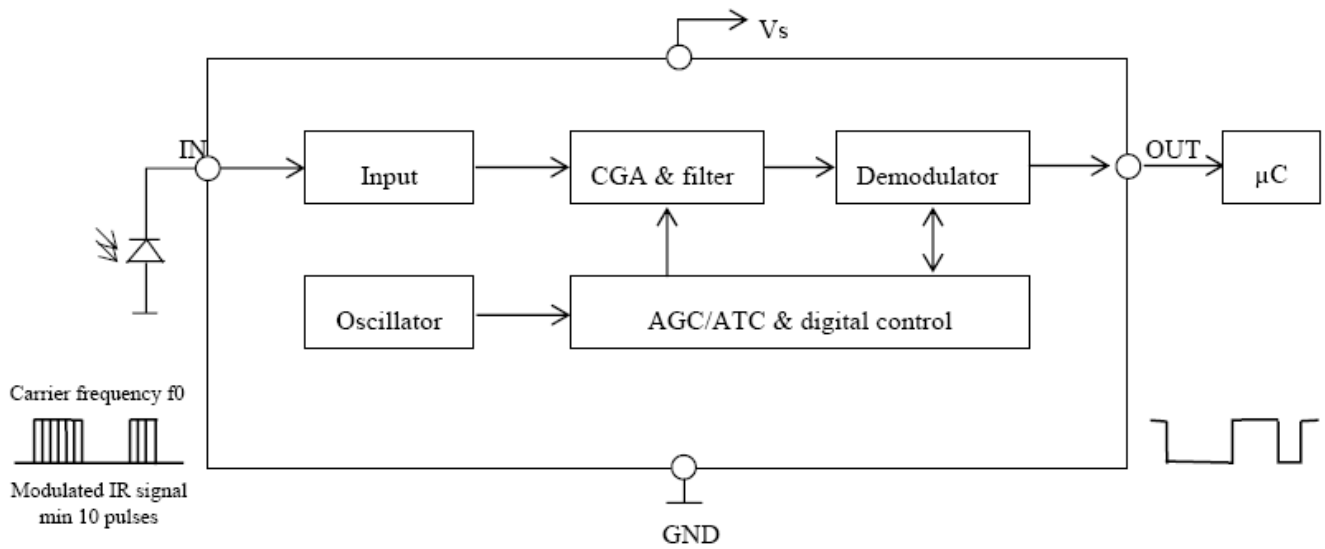


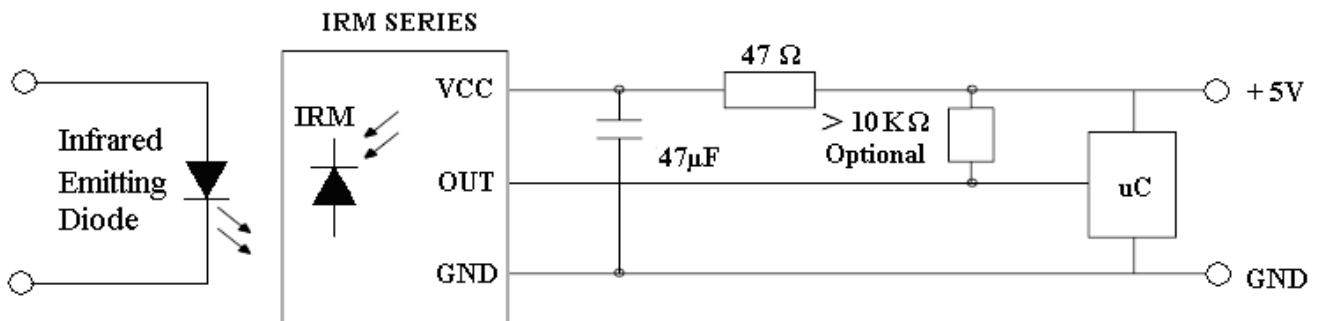
Fig.-3 Measuring System



### Block Diagram:



### Applications Circuit:



RC Filter should be connected closely between Vcc pin and GND pin.

### Reliability Test Items And Conditions:

The reliability of products shall be satisfied with items listed below:

Confidence level: 90%.

LTPD: 10%.

No.	Test Items	Test Conditions	Failure Judgment Criteria	Samples(n) Defective(c)
1	Temperature cycle	1 cycle -25 ℃ ∫ +85 ℃ (30min) (5min) (30min) 300 cycle test	L0 L×0.8 L45 L×0.8  L: Lower specification limit	n=22, c=0
2	High temperature test	Temp: +85 ℃ Vcc: 5V 1000hrs		n=22, c=0
3	Low temperature storage	Temp: -25 ℃ 1000hrs		n=22, c=0
4	High temperature High humidity	Ta: 85 ℃ , RH:85% 1000hrs		n=22, c=0
5	Solder heat	Temp: 260±5 ℃ 10sec 4mm From the bottom of the package.		n=22, c=0



Please read the following notes before using the product:

1. Over-current-proof

Customer must apply resistors for protection, otherwise slight voltage shift will cause big current change (Burn out will happen).

2. Storage

- 2.1 Do not open moisture proof bag before the products are ready to use.
- 2.2 Before opening the package, the LEDs should be kept at 30 °C or less and 80%RH or less.
- 2.3 The LEDs should be used within a year.
- 2.4 After opening the package, the LEDs should be kept at 30 °C or less and 60%RH or less.
- 2.5 The LEDs should be used within 168 hours (7 days) after opening the package.

3. Soldering Iron

Each terminal is to go to the tip of soldering iron temperature less than 260 °C for 5 seconds within once in less than the soldering iron capacity 25W. Leave two seconds and more intervals, and do soldering of each terminal. Be careful because the damage of the product is often started at the time of the hand solder.

4. Soldering

When soldering, for Lamp without stopper type and must be leave a minimum of 3mm clearance from the base of the lens to the soldering point.  
 To avoided the Epoxy climb up on lead frame and was impact to non-soldering problem, dipping the lens into the solder must be avoided.  
 Do not apply any external stress to the lead frame during soldering while the LED is at high temperature.

Recommended soldering conditions:

Soldering Iron		Wave Soldering	
Temperature	300 Max.	Pre-heat	100 Max.
Soldering Time	3 sec. Max. (one time only)	Pre-heat Time	60 sec. Max.
		Solder Wave	260 Max.
		Soldering Time	5 sec. Max.

Note: Excessive soldering temperature and / or time might result in deformation of the LED lens or catastrophic failure of the LED.

5. Repairing

Repair should not be done after the LEDs have been soldered. When repairing is unavoidable, a double-head soldering iron should be used. It should be confirmed beforehand whether the characteristics of the LEDs will or will not be damaged by repairing.

6. Caution in ESD

Static Electricity and surge damages the LED. It is recommended to use a wrist band or anti-electrostatic glove when handling the LED. All devices equipment and machinery must be properly grounded.