

HL-SW008 Solar Portable
Light



Component Part:

- ① Solar panels
- ② LED light source
- ③ Charge input socket
- ④ Switch
- ⑤ Charger



Product Selection Guide:

HL-/S/W/008

- ①
- ②
- ③

- ① HL: Handle Light
- ② S: Solar light
- ③ W: White Color
- ④ 008: Serial-number

Warning: To protect the battery life, when portable lights dim, please recharge immediately .

Note:

1. Before use, please read the manual carefully, and charge.
2. To provide lighting to your home, please ensure that there is sufficient battery power.
3. Please charge when it dim .
4. Please charge regularly, charge at least 8 times every 3 months.
5. When not in use, please set the switch in “off” position;
6. When environment temperature is 0°C(32F) below or over 40°C(104F), the performance of the storage power of the battery may be affected.
7. Do not splash water or rain.

Portable lights to use:

1. Lighting levels can be adjusted from dim to brightness.
2. Intelligent sensor light control , when the sensor reaches a certain light ,portable lights automaticaly put out, when sensing a certainValue to low-light, portable lights automaticaly light.

Portable light charging:

1. Use before granting portable lights charge;
2. The use of solar charging, put his hand light on the day the sun can bean adequate Place, attention please, do not have something against the solar panels;
3. “AC IN” charging ,and plug in the power supply, charging LED is red,filled LED to green;
4. Some heat may be produced when charging the battery ,it is nomal.

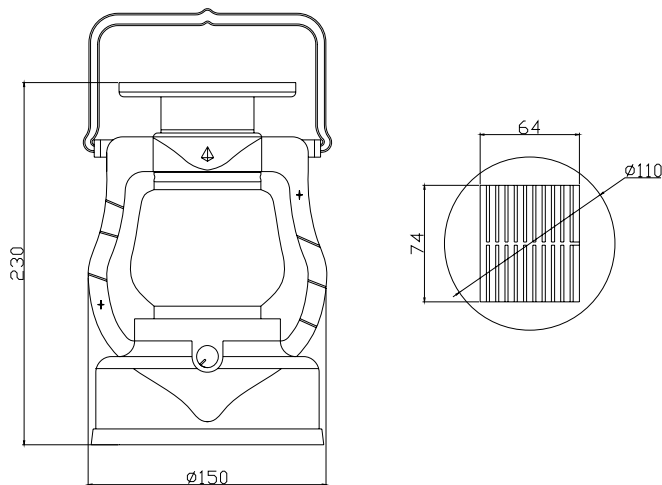
Maintenance:

1. Use a cotton swab with a little cleaning alcohol to clean the lantern body.
2. Never used strong or chemicals to clean the lantern, otherwise the plastic parts will be damaged.
3. To avoid damage of lantern, please do not use other specified battery.
4. To avoid electrical shock, please do not open the unit unless by qualified person.

Specifications:

1. Material:ABS plastic shell,PC transparent plastic cover ;
2. Battery : 4v1.8AH valve maintenance-free lead-acid battery;
3. Solar battery:6V100mA solar panels;
4. Illuminant : 0.5w super bright LED×2 PCS;
5. LED life: More than 25000 hours;
6. Charging time : AC charging 4-5hours, solar filling 24 hours or so;
7. Lighting time : 10 hours;
8. Size : 150×150×230mm ;
9. Net weight : 0.61Kg;

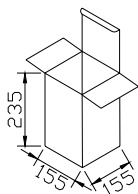
Dimensions:



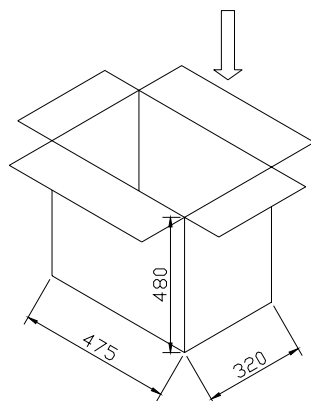
Notes:

1. All dimensions unit in mm
2. Tolerances is ± 0.5 mm unless otherwise noted.

Package Dimension:



Small carton
150L*150W*235Hmm
(5.91"L*5.91"W*9.25"H)
1pcs Solar Portable Light inside



Big carton
475L*320W*480Hmm
18.7"L*12.60"W*18.90"H)
12pcs Solar Portable Lights inside