



Features:

- No UV or IR light radiation.
- Provide 45° beam angles.
- Very Low Power Consumption:
Less than 8Watts
- Long lifetime: 25000 hours (L₇₀).
- Sturdy Construction:
UV Stabilized PMMA Lens And Aluminium alloy Lamp Shell.
- High CRI: 75-85
- Correlated Color Temperature: 2700-12000K
- Operating temperature: -20°C~+60°C.
- 180~240V AC input.

Benefits

- Energy Cost Savings:
Over 60% Compared to Incandescent.
- Solid-State:
High-Shock & High-Vibration Resistant,
Both Electrical and Mechanical
- Eco-Friendly:
No Mercury, No Lead Content
- No Hazardous Emissions:
No UV or IR Radiation
- Constant Light Output:
Even Lighting, Non-Halation

Application:

- Mall center lighting
- Corridor lighting
- Furniture lighting
- Hotel lighting
- Other lighting

Product Specifications:

Lens	PMMA
Lamp Shell	Aluminium alloy
Input Voltage	180~240V AC
Wattage	8W
Hole Diameter	∅ 86mm
Power Factor	PF ≥ 0.85
Operating frequency	50-60Hz
Operating Temperature	-20°C ∼ +60°C
Storage Temperature	-30°C ∼ +70°C
Net Weight per piece (Kg)	0.325Kg
Certification	CE Approved; RoHS Compliant

Product Selection Guide:

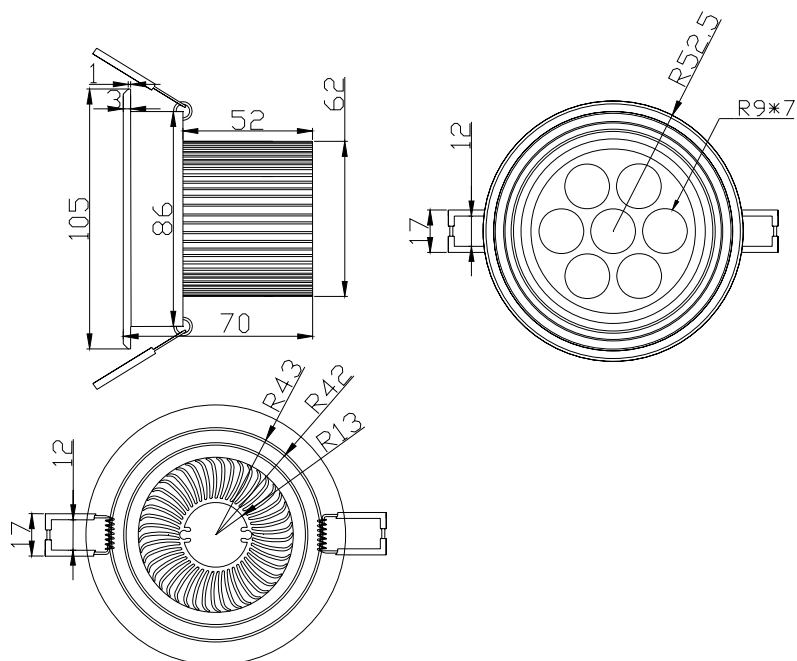
Product	Beam Angle	Total Lumens	CCT	Color	CRI
CL-HWW1W7A	45	565 ± 5%	2900-3300K	Warm White	≥ 80
CL-HW1W7A	45	640 ± 5%	5500-6500K	White	≥ 75

CL-/H/XX/1W/7/A

① ② ③ ④ ⑤ ⑥

- ① CL: Ceiling light
- ② H: High Power LED Type
- ③ XX: W(White Color) WW (Warm White)
- ④ 1W: The single LED power is 1W
- ⑤ 7: 7 pcs of LED
- ⑥ A: AC 220V

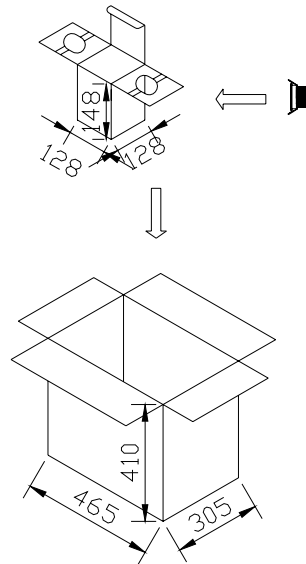
Product Dimensions:



NOTES:

1. All dimensions unit in mm
2. Tolerances is ± 0.5 mm unless otherwise noted.

Package Dimension



Small carton

128L*128W*148Hmm

(5.04"L*5.04"W*5.83"H)

1pcs Ceiling Light inside

Big carton

465L*305W*410Hmm

(18.31"L*12.01"W*16.14"H)

20pcs Ceiling Light inside

Installation Instructions and Warnings:

- Turn off power before inspection, installation, or removal.
- Not for use where exposed to the weather
- Do not use in totally enclosed fixtures.
- Not for use with dimmers.