



Features:

- No UV or IR light radiation.
- Provide 45 beam angles.
- Easy Installation:
Using Existing E27 base Fixture
- Very Low Power Consumption:
Less than 8 Watts
- Long lifetime: 25000 hours (L₇₀).
- Sturdy Construction:
UV Stabilized PMMA Lens And Aluminium alloy Lamp Shell.
- High CRI: 75-85
- Correlated Color Temperature: 2700-12000K
- Replaces PAR electric incandescent lamp up to 100Watts
- Operating temperature: -20°C~+60°C.
- 100-240V AC input.

Benefits

- Energy Cost Savings:
Over 60% Compared to Incandescent.
- Solid-State:
High-Shock & High-Vibration Resistant,
Both Electrical and Mechanical
- Eco-Friendly:
No Mercury, No Lead Content
- No Hazardous Emissions:
No UV or IR Radiation
- Constant Light Output:
Even Lighting, Non-Halation

Application:

- Western restaurant Lighting
- Coffee house Lighting
- Display / Cabinet / Kiosk Lighting
- Architectural Lighting
- Hotel Lighting

Product Specifications:

Lens	PMMA
Lamp Shell	Aluminium alloy
Input Voltage	100-240V AC
Base Type	E27 base
Wattage	8W
Power Factor	PF ≥ 0.8
Operating frequency	50-60Hz
Operating Temperature	-20°C ∼ +60°C
Storage Temperature	-30°C ∼ +70°C
Net Weight per piece (Kg)	0.26Kg
Certification	CE Approved; RoHS Compliant

Product Selection Guide:

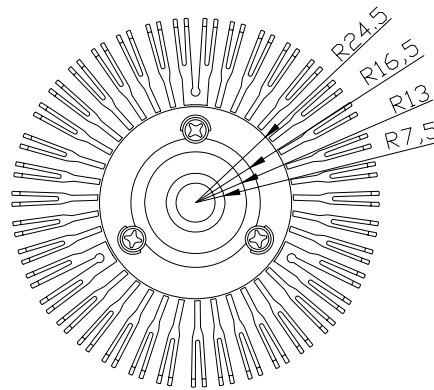
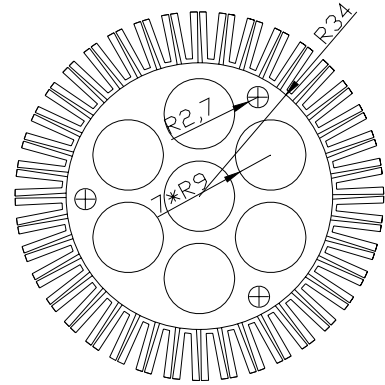
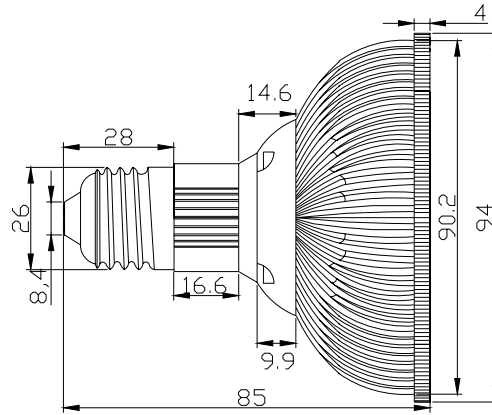
Product	Beam Angle	Total Lumens	CCT	Color	CRI
PAR30-HXX1W7C1	45	480 ± 5%	2900-3300K	Warm White	≥ 80
PAR30-HX1W7C1	45	530 ± 5%	5000-7000K	White	≥ 75

PAR30-^①/H^②/^③XX/^④1W/^⑤7/^⑥C/^⑦1

① ② ③ ④ ⑤ ⑥ ⑦

- ① PAR30: Product type.
- ② H: High Power LED Type
- ③ XX: W(White) WW (Warm White)
- ④ 1W: The single LED power is 1W
- ⑤ 7: 7 pcs of LED
- ⑥ C: AC 100-240
- ⑦ 1: Crust type

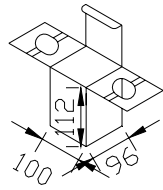
Product Dimensions:



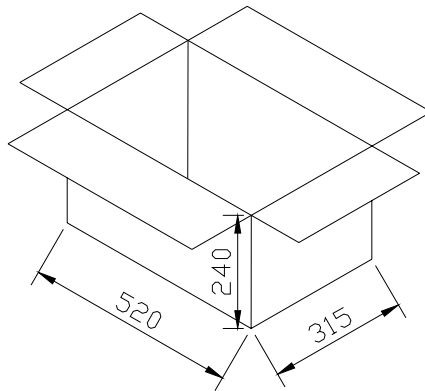
Notes:

1. All dimensions unit in mm
2. Tolerances is ± 0.5 mm unless otherwise noted.

Package Dimension



Small carton
100L*96W*112Hmm
(3.9"L*3.78"W*4.41"H)
1pcs PAR30 inside



Big carton
520L*315W*240Hmm
20.47"L*12.40"W*9.47"H
30pcs PAR30 inside

Installation Instructions and Warnings:

- Turn off power before inspection, installation, or removal.
- Not for use where exposed to the weather
- Do not use in totally enclosed fixtures.
- Not for use with dimmers.