

### Features:

- No UV or IR light radiation.
- Provide 30° beam angles.
- Easy Installation:  
Using Existing GU10 Fixture
- Very Low Power Consumption:  
Less than 4 Watts
- Long lifetime: 25000 hours (L<sub>70</sub>).
- Sturdy Construction:  
UV Stabilized PMMA Lens and Aluminium alloy Lamp Shell.
- High CRI: 75-85
- Correlated Color Temperature: 2700-12000K
- Replaces GU10 Halogen Bulbs up to 35 Watts
- Operating temperature: -20°C~+60°C.
- 100~240V AC input.



### Benefits

- Energy Cost Savings:  
Over 60% Compared to Incandescent.
- Solid-State:  
High-Shock & High-Vibration Resistant,  
Both Electrical and Mechanical
- Eco-Friendly:  
No Mercury, No Lead Content
- No Hazardous Emissions:  
No UV or IR Radiation
- Constant Light Output:  
Even Lighting, Non-Halation

### Application:

- Track Lighting
- Accent / Spot Lighting
- Display / Cabinet / Kiosk Lighting
- Architectural Lighting
- Art Gallery and Museum lighting
- Other lighting

**Product Specifications:**

Lens	PMMA
Lamp Shell	Aluminium alloy
Input Voltage	100~240V AC
Base Type	GU10
Wattage	4W
Power Factor	PF ≥ 0.8
Operating frequency	50-60Hz
Operating Temperature	-20°C ∽ +60°C
Storage Temperature	-30°C ∽ +70°C
Net Weight per piece (Kg)	0.055Kg
Certification	CE Approved; ROHS Compliant

**Product Selection Guide:**

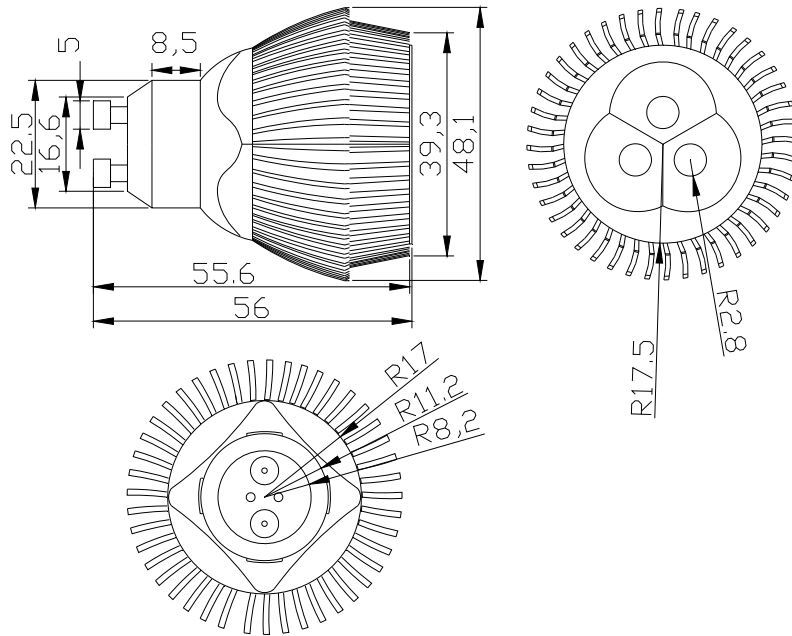
Product	Beam Angle	Total Lumens	CCT	Color	CRI
GU10-HWW1W3C1	30	230 ± 5%	2900-3300K	Warm White	≥ 80
GU10-HW1W3C1	30	260 ± 5%	5500-6500K	White	≥ 75

**GU10-/H/XX/1W/3/C/1**

①                      ②                      ③                      ④                      ⑤                      ⑥                      ⑦

- ① GU10: Product Type.
- ② H: High Power LED Type
- ③ W( White )    WW ( Warm White)
- ④ 1W: The single LED power is 1W
- ⑤ 3: 3 pcs of LEDs
- ⑥ C: AC 100-240V
- ⑦ 1: Crust type

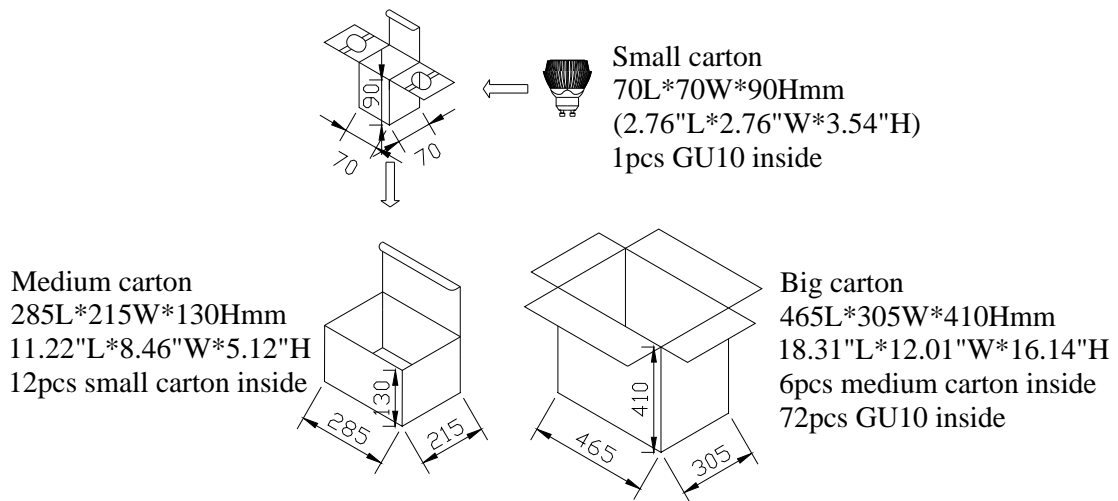
Product Dimensions:



NOTES:

1. All dimensions unit in mm
2. Tolerances is  $\pm 0.5$ mm unless otherwise noted.

Package Dimension



Installation Instructions and Warnings:

- Turn off power before inspection, installation, or removal.
- Not for use where exposed to the weather.
- Do not use in totally enclosed fixtures.
- Not for use with dimmers.