

Features:

- No UV or IR light radiation.
- Provide 45° beam angles.
- Easy Installation:
- Very Low Power Consumption:
Less than 7Watts
- Long lifetime: 25000 hours (L₇₀).
- Sturdy Construction:
PMMA lens And Aluminum alloy Lamp Shell.
- High CRI: 70-80
- Correlated Color Temperature: 2700-12000K
- Operating temperature: -20°C ~ +60°C.
- 100~240V AC input.



Benefits:

- Energy Cost Savings:
Over 60% Compared to Incandescent.
- Solid-State:
High-Shock & High-Vibration Resistant,
Both Electrical and Mechanical
- Eco-Friendly:
No Mercury, No Lead Content
- No Hazardous Emissions:
No UV or IR Radiation
- Constant Light Output:
Even Lighting, Non-Halation

Application:

- Shopping Malls
- Exhibition Hall Lighting
- Display / Cabinet / Kiosk Lighting
- Architectural Lighting
- Other Lighting

Product Specifications:

Lamp Shell	Aluminum alloy
Input Voltage	100~240V AC
Lens	PMMA
Wattage	7W
Power Factor	PF \geq 0.8
Operating Frequency	50-60Hz
Operating Temperature	-20°C \sim +60°C
Storage Temperature	-30°C \sim +70°C
Net Weight per piece (g)	390
Certification	RoHS Compliant

Product Selection Guide:

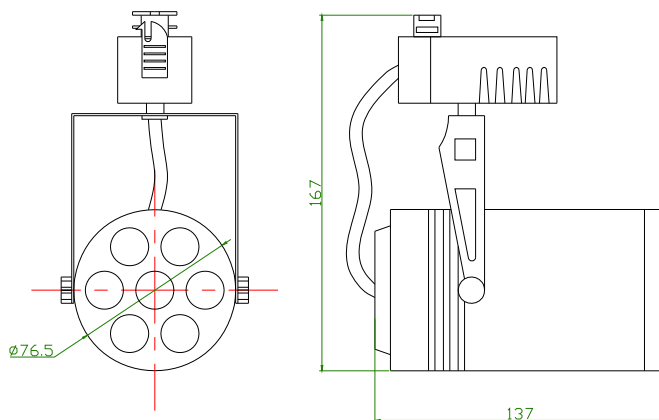
Product	Beam Angle	Total Lumens	CCT	Color	CRI
TK-HWW1W7C1	45°	501 \pm 5%	2700-3500K	Warm White	\geq 75
TK-HW1W7C1	45°	526 \pm 5%	6000-6500K	White	\geq 70

TK-/H/XX/1W/7/C/1

① ② ③ ④ ⑤ ⑥ ⑦

- ① TK: Track Light
- ② H: High Power LED
- ③ XX:WW(Warm White) W(White)
- ④ 1W: the single LED power is 1W
- ⑤ 7: 7pcs of LED
- ⑥ C1: AC100-240V
- ⑦ 1: Crust type

Product Dimensions:



NOTES:

1. All dimensions unit in mm
2. Tolerances are ± 0.5 mm unless otherwise noted.

Package Dimension:

