



Features:

- No UV or IR light radiation.
- Provide 240° beam angles.
- Easy Installation:
Using Existing G13 Fixture
- Very Low Power Consumption:
Less than 18Watts
- Long lifetime: 30000 hours (L₇₀).
- Sturdy Construction:
- PC and Aluminium alloy Lamp Shell.
- High CRI: 70-85
- Correlated Color Temperature: 2800-7000K
- Operating temperature: -20°C~+60°C.
- 100-277V AC input.
- LED Type :100pcs 2835 LED 0.2W/PCS
- Single-ended power supply

Benefits

- Energy Cost Savings:
Over 60% Compared to Incandescent.
- Solid-State:
High-Shock & High-Vibration Resistant,
Both Electrical and Mechanical
- Eco-Friendly:
No Mercury, No Lead Content
- No Hazardous Emissions:
No UV or IR Radiation
- Constant Light Output:
Even Lighting, Non-Halation

Application:

- Conferences, meeting rooms, show rooms, showcases Lighting
- Villa, Residential houses Lighting
- Art Gallery and Museum Lighting
- Factories, plants, warehouses, offices Lighting
- Parking lot lighting

Product Specifications:

Lamp Shell	Aluminium alloy and PC
Input Voltage	100-277V AC
Wattage	18 W
Power Factor	PF \geq 0.90
Operating frequency	50-60Hz
Operating Temperature	-20°C \sim +60°C
Storage Temperature	-30°C \sim +70°C
Net Weight per piece (g)	240g
Certification	UL Approved; RoHS Compliant
UL number	E471691
Size	ϕ 26*1200mm

Product Selection Guide:

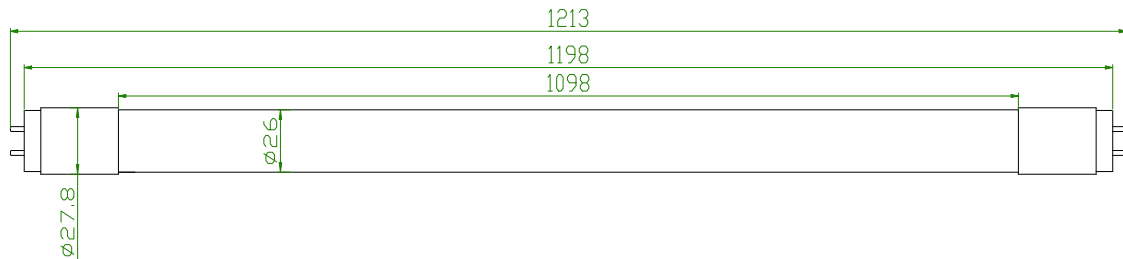
Product	Beam Angle	Total Lumens	CCT	Color	CRI
T8-100C-A	240°	1710 \pm 5%	2700-3500K	Warm White	\geq 70
	240°	1750 \pm 5%	4000-4500K	Neutral White	\geq 70
	240°	1830 \pm 5%	6000-6500K	White	\geq 70

T8-/100/C-/A



- ① T8: Product type
- ② 100: :100 pcs of LED
- ③ C: AC100~277V input
- ④ A.: Aluminium and Plactic Tube

Product Dimensions:

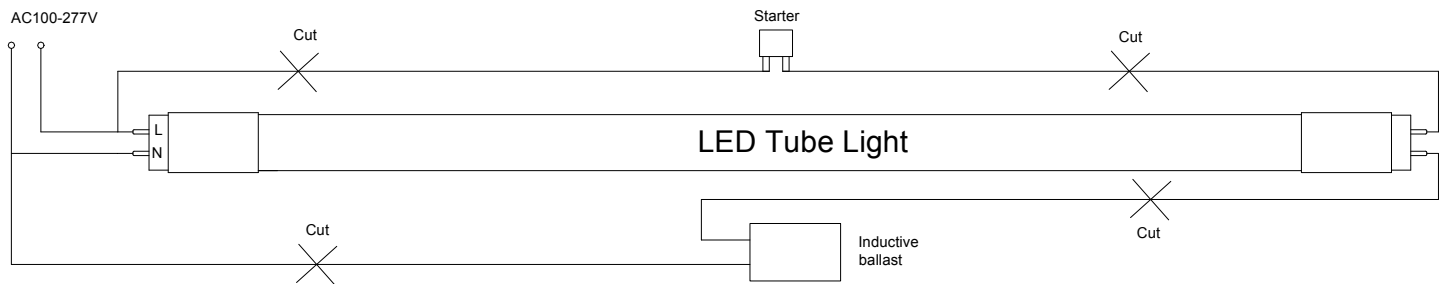
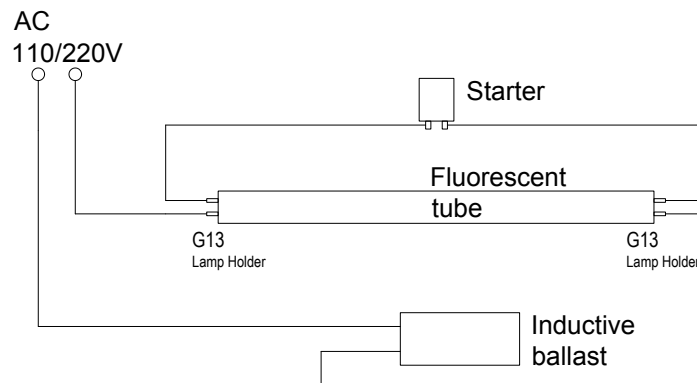


Notes:

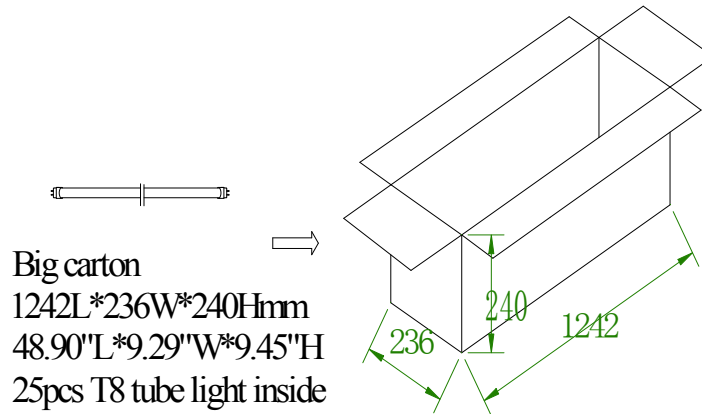
1. All dimensions unit in mm.
2. Tolerances are ± 0.5 mm unless otherwise noted.

Wiring Diagram:

● Lamp bracket of inductive ballast :



Packing Dimensions:



Installation Instructions and Warnings:

- Turn off power before inspection, installation, or removal.
- Not for use where exposed to the weather
- Do not use in totally enclosed fixtures.
- Not for use with dimmers.