



### Features:

- No UV or IR light radiation.
- Provide 45 beam angles.
- Easy Installation:  
Using Existing E27 base Fixture
- Very Low Power Consumption:  
Less than 15 Watts
- Long lifetime: 25000 hours (L<sub>70</sub>).
- Sturdy Construction:  
UV Stabilized PMMA Lens And Aluminium alloy Lamp Shell.
- High CRI: 75-85
- Correlated Color Temperature: 2700-12000K
- Operating temperature: -20°C~+60°C.
- 100-240V AC input.

### Benefits

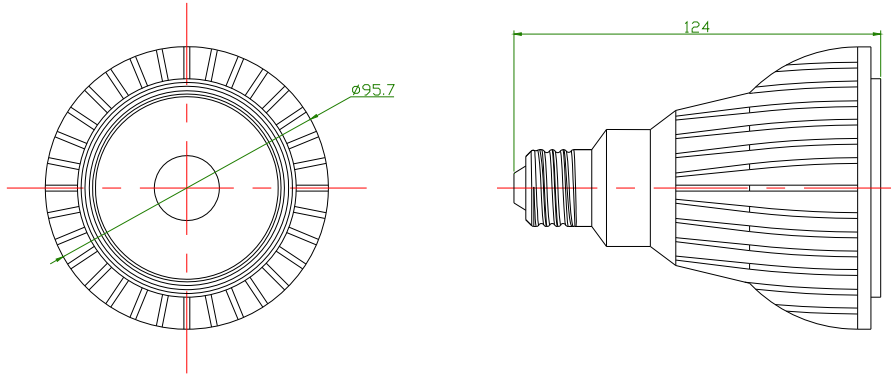
- Energy Cost Savings:  
Over 60% Compared to Incandescent.
- Solid-State:  
High-Shock & High-Vibration Resistant,  
Both Electrical and Mechanical
- Eco-Friendly:  
No Mercury, No Lead Content
- No Hazardous Emissions:  
No UV or IR Radiation
- Constant Light Output:  
Even Lighting, Non-Halation

### Application:

- Western restaurant Lighting
- Coffee house Lighting
- Display / Cabinet / Kiosk Lighting
- Architectural Lighting
- Hotel Lighting



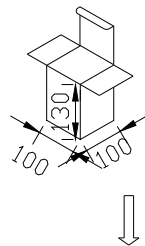
### Product Dimensions:



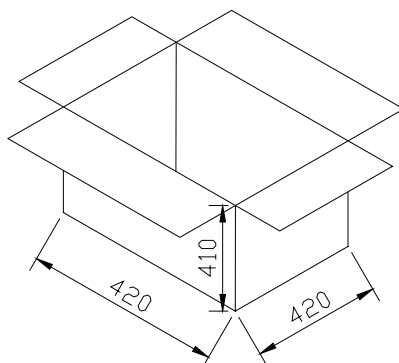
### Notes:

1. All dimensions unit in mm
2. Tolerances are  $\pm 0.5$ mm unless otherwise noted.

### Package Dimension



Small carton  
100L\*100W\*130Hmm  
(3.9"L\*3.9"W\*5.12"H)  
1pcs PAR30 inside



Big carton  
420L\*420W\*410Hmm  
16.54"L\*16.54"W\*16.14"H  
48pcs PAR30 inside