



Features:

- No UV or IR light radiation.
- Provide 45 beam angles.
- Easy Installation:
Using Existing E27 base Fixture
- Very Low Power Consumption:
Less than 8 Watts
- Long lifetime: 25000 hours (L₇₀).
- Sturdy Construction:
UV Stabilized PMMA Lens And Aluminium alloy Lamp Shell.
- High CRI: 75-85
- Correlated Color Temperature: 2700-12000K
- Operating temperature: -20°C~+60°C.
- 100-240V AC input.

Benefits

- Energy Cost Savings:
Over 60% Compared to Incandescent.
- Solid-State:
High-Shock & High-Vibration Resistant,
Both Electrical and Mechanical
- Eco-Friendly:
No Mercury, No Lead Content
- No Hazardous Emissions:
No UV or IR Radiation
- Constant Light Output:
Even Lighting, Non-Halation

Application:

- Western restaurant Lighting
- Coffee house Lighting
- Display / Cabinet / Kiosk Lighting
- Architectural Lighting
- Hotel Lighting

Product Specifications:

Lens	PMMA
Lamp Shell	Aluminium alloy
Input Voltage	100-240V AC
Base Type	E27 base
Wattage	8W
Power Factor	PF \geq 0.9
Operating frequency	50-60Hz
Operating Temperature	-20°C \sim +60°C
Storage Temperature	-30°C \sim +70°C
Net Weight per piece (g)	109g
Certification	RoHS Compliant

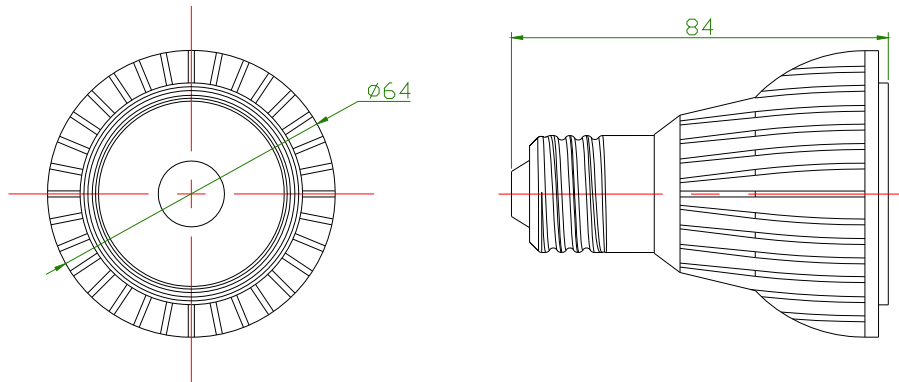
Product Selection Guide:

Product	Beam Angle	Total Lumens	CCT	Color	CRI
PAR20-HWW8W1C	45	540 \pm 5%	2700-3300K	Warm White	\geq 80
PAR20-HNW8W1C	45	550 \pm 5%	4000-4500K	Neutral White	\geq 80
PAR20-HW8W1C	45	580 \pm 5%	6000-6500K	White	\geq 75

PAR20-①/H/②/③/8W/④/1/⑤/C⑥

- ① PAR20: Product type.
- ② H: High Power LED Type
- ③ XX: W(White) NW(Neutral White)
WW (Warm White)
- ④ 8W: The single LED power is 8W
- ⑤ 1: 1 pcs of LED
- ⑥ C: AC 100-240V

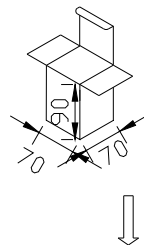
Product Dimensions:



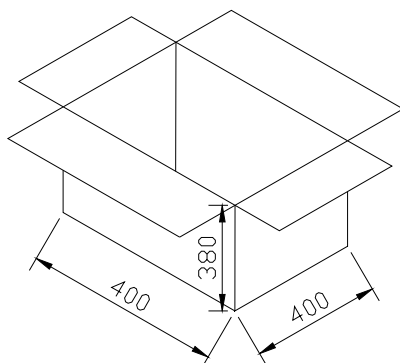
Notes:

1. All dimensions unit in mm
2. Tolerances are $\pm 0.5\text{mm}$ unless otherwise noted.

Package Dimension



Small carton
70L*70W*90Hmm
2.76"L*2.76"W*3.54"H)
1pcs PAR20 inside



Big carton
400L*400W*380Hmm
15.75"L*15.75"W*14.96"H
100pcs PAR20 inside