



### Features:

- No UV or IR light radiation.
- Provide 115° beam angles.
- Using high luminous efficiency LED, a single white module's luminous flux can be up to 76lm, luminous efficiency 63lm/w
- UV Stabilized plastic Lens and plastic Lamp Shell
- Life expectancy: 3 years  $\geq$  13000 hours ( $L_{70}$ ).
- All-inclusive aluminum process and PCB board ensure good heat dissipation and longer life
- Correlated Color Temperature: 6500-7000K
- Operating temperature: -20°C ~ +60°C.
- High IP grade: The PC protective cover and all-inclusive aluminum process to guaranty IP65.
- Convenient to install: The standard cascade number 42pcs modules. Three modules make a unit, which can not cut between each unit.

### Benefits

- Energy Cost Savings:  
Over 80% Compared to Incandescent.
- Solid-State:  
High-Shock & High-Vibration Resistant,  
Both Electrical and Mechanical
- Eco-Friendly:  
No Mercury, No Lead Content
- No Hazardous Emissions:  
No UV or IR Radiation
- Constant Light Output:  
Even Lighting, Non-Halation
- No glare, no stroboscopic
- Fine heat output structure

### Application:

- Channel letters backlighting
- Indoor lighting and decoration
- Architecture lighting
- Advertising light box backlighting
- Sign board backlighting
- Commercial sign backlighting

**Product Specifications:**

Lamp Shell	Plastic
Voltage	DC12 V
Wattage	1.2W/pcs
Color	White
IP	IP65
Operating Temperature	-20°C ∞ +60°C
Storage Temperature	-30°C ∞ +70°C
Net Weight per piece (g)	800g
Warranty period	36 month
Size	45MM×38MM×6MM
Standard connection	50pcs
Conforming standard	CE\ROHS

**Tips:**

- Tolerable range for luminous flux,color rendering and rated power: ±10%.
- Tolerable range for operating voltage: ±5%.
- Testing temperature:25±1℃.
- Warranty limited:3 years or 13000 hours;Whichever comes first.
- The maximum cascade number is 50pcs when supply power at one end. Do not exceed.

**Product Selection Guide:**

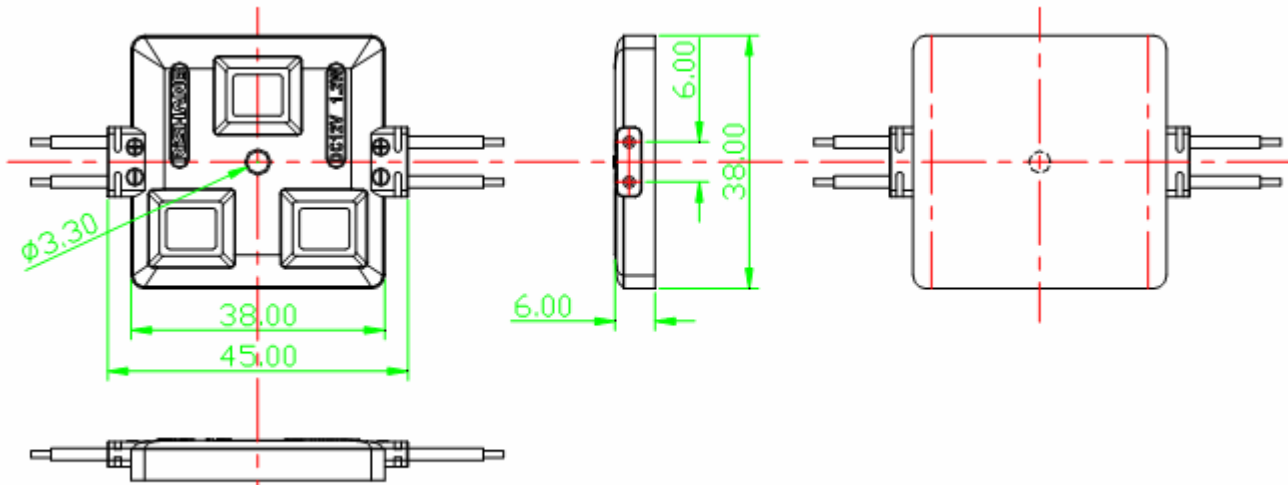
Product	Beam Angle	Total Lumens	CCT	Luminous Efficiency	CRI
LS-5630W3R1	115	76±5%	6500-7000K	63lm/W	PF≥70

**LS-5630W3R1**

① ② ③ ④ ⑤ ⑥

- ① LS: led Modules
- ② 5630: 5630 LED
- ③ W: W (white)
- ④ 3: 3PCS of led per module
- ⑤ R: DC12V
- ⑥ 1: Crust type

Product Dimensions:

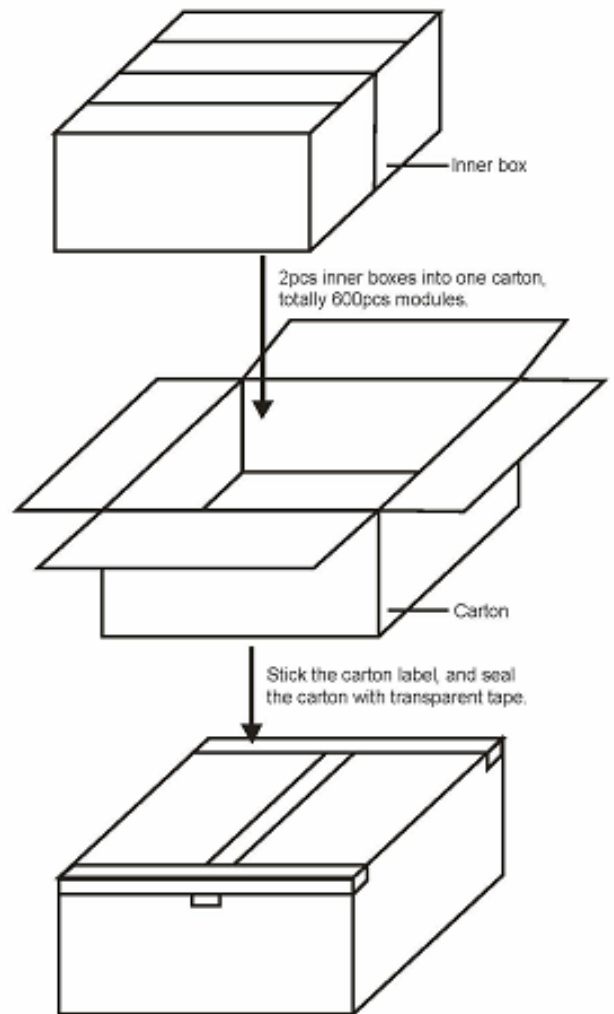
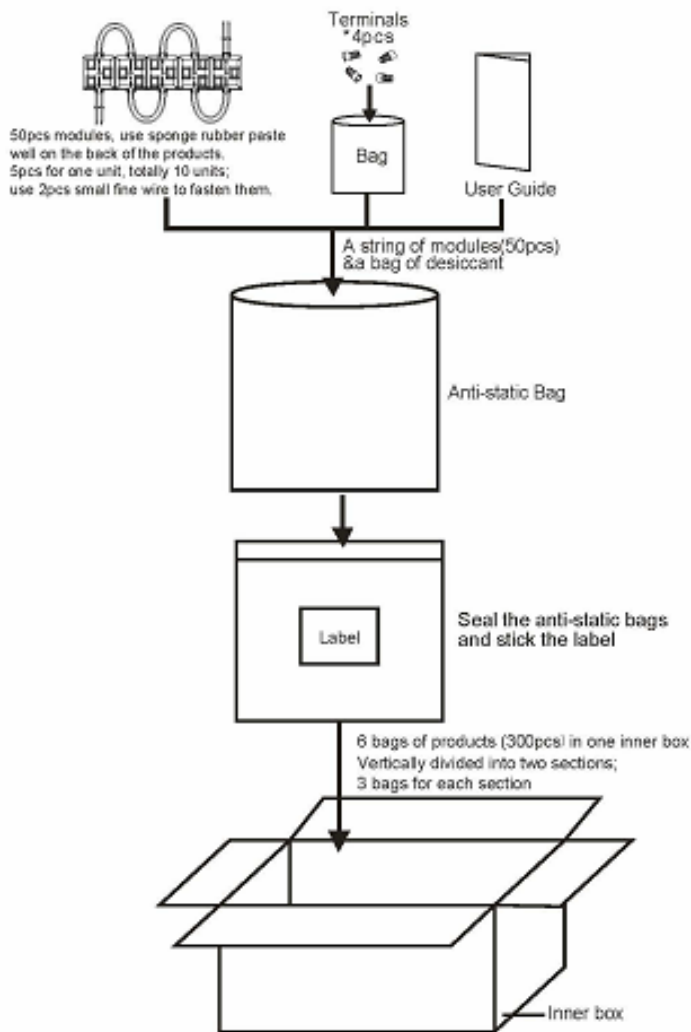


Single Modules Dimension

NOTES:

1. All dimensions unit in mm
2. Tolerances is  $\pm 0.5$ mm unless otherwise noted.

**Package Dimension**



**Installation Instructions and Warnings:**

- Carton size:520\*370\*260mm:
- Each string has 50PCS, 2strings in one bag, totally 50 pieces;
- Each inner bag has 6 small bags of modules (300PCS),while each carton has 2 inner bags (600 PCS);
- Net weight(NW): 10.21 (1±5%)Kg:
- Gross weight (GW): 12.35 (1±5%)Kg: