

Features:



- No UV or IR light radiation.
- Provide 120° beam angles.
- Very Low Power Consumption:
Less than 12Watts
- Long lifetime: 25000 hours (L₇₀).
- Sturdy Construction:
UV Stabilized C Lens and Aluminium alloy Lamp Shell.
- High CRI: 75-85
- Correlated Color Temperature: 2700-12000K
- Operating temperature: -20°C~+60°C.
- 100~240V AC input.

Benefits

- Energy Cost Savings:
Over 60% Compared to Incandescent.
- Solid-State:
High-Shock & High-Vibration Resistant,
Both Electrical and Mechanical
- Eco-Friendly:
No Mercury, No Lead Content
- No Hazardous Emissions:
No UV or IR Radiation
- Constant Light Output:
Even Lighting, Non-Halation

Application:

- Mall center lighting
- Corridor lighting
- Furniture lighting
- Hotel lighting
- Other lighting

Data Sheet

Product Specifications:

Lens	PC
Lamp Shell	Aluminium alloy
Input Voltage	100~240V AC
Hole Diameter	∅ 140mm
Wattage	12W
Power Factor	PF ≥ 0.7
Operating frequency	50-60Hz
Operating Temperature	-20°C ∞ +60°C
Storage Temperature	-30°C ∞ +70°C
Net Weight per piece (g)	593g
Certification	CE Approved; RoHS Compliant

Product Selection Guide:

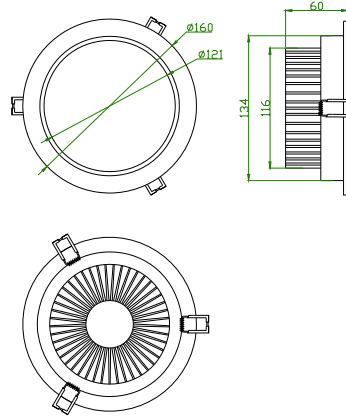
Product	Beam Angle	Total Lumens	CCT	Color	CRI
DL-WW24C1	120	860 ± 5%	2700-3500K	Warm White	≥ 80
DL-W24C1	120	880 ± 5%	6000-6500K	White	≥ 75

DL-/XX/24/C1

① ② ③ ④

- ① DL: Down light
- ② XX: WW: (Warm White) W (White)
- ③ 24: 24pcs of LED
- ④ C1: AC100-240V input

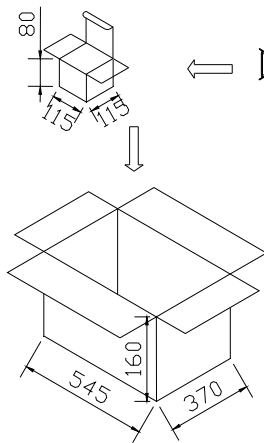
Product Dimensions:



NOTES:

1. All dimensions unit in mm
2. Tolerances is ± 0.5 mm unless otherwise noted.

Package Dimension



Small carton
115L*115W*80Hmm
(4.53"L*4.53"W*3.15H)
1pcs Down Light inside

Big carton
545L*370W*160Hmm
(12.46"L*14.57"W*6.30"H)
30pcs Down Light inside

Installation Instructions and Warnings:

- Turn off power before inspection, installation, or removal.
- Not for use where exposed to the weather
- Do not use in totally enclosed fixtures.
- Not for use with dimmers.