



### Features:

- No UV or IR light radiation.
- Provide 45° beam angles.
- Very Low Power Consumption:  
Less than 24 Watts
- Long lifetime: 25000 hours (L<sub>70</sub>).
- Sturdy Construction:  
UV Stabilized PMMA Lens and Aluminium alloy Lamp Shell.
- High CRI: 75-85
- Correlated Color Temperature: 2700-12000K
- Operating temperature: -20°C~+60°C.
- 100~240V AC input.

### Benefits

- Energy Cost Savings:  
Over 60% Compared to Incandescent.
- Solid-State:  
High-Shock & High-Vibration Resistant,  
Both Electrical and Mechanical
- Eco-Friendly:  
No Mercury, No Lead Content
- No Hazardous Emissions:  
No UV or IR Radiation
- Constant Light Output:  
Even Lighting, Non-Halation

### Application:

- Mall center Lighting
- Corridor Lighting
- Furniture Lighting
- Hotel Lighting
- Other Lighting

**Product Specifications:**

Lens	PMMA
Lamp Shell	Aluminium alloy
Input Voltage	180~240V AC
Hole diameter	110*254mm
Wattage	24W
Power Factor	PF ≥ 0.6
Operating Frequency	50-60Hz
Operating Temperature	-20°C ∽ +60°C
Storage Temperature	-30°C ∽ +70°C
Net Weight per piece (Kg)	1.115Kg
Certification	CE Approved; RoHS Compliant

**Product Selection Guide:**

Product	Beam Angle	Total Lumens	CCT	Color	CRI
CL-HWW1W24C	45°	1800 ± 5%	2800-3300K	Warm White	≥ 80
CL-HW1W24C	45°	1900 ± 5%	5500-6500K	White	≥ 75

**CL-/H/XX/1W/24/C**

①                      ②                      ③                      ④                      ⑤                      ⑥

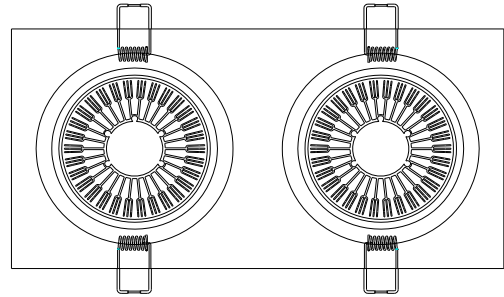
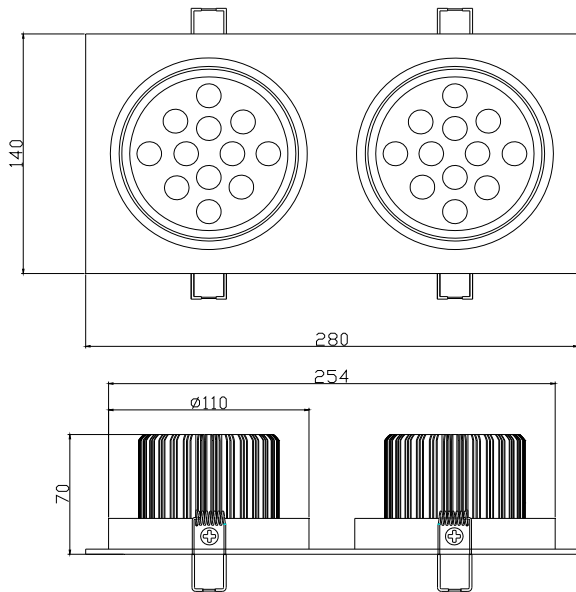
- ① CL: Ceiling light
- ② H: High Power LED Type
- ③ XX: W(White Color)    WW( Warm White)
- ④ 1W: The single LED power is 1W
- ⑤ 24: 24 pcs of LED
- ⑥ C: AC 100-240V

# Ceiling Light LED Lamp Series

Data Sheet

CL-HWW1W24C  
AC100-240V 24W

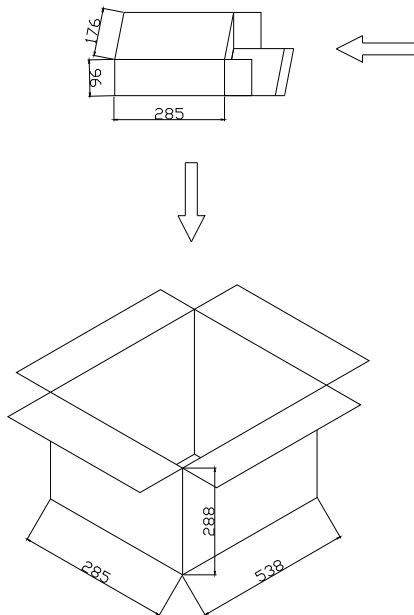
## Product Dimensions:



### NOTES:

1. All dimensions unit in mm
2. Tolerances is  $\pm 0.5$ mm unless otherwise noted.

## Package Dimension



Small carton  
285L\*176W\*96Hmm  
(11.22"L\*6.93"W\*3.78"H)  
1pcs Ceiling Light inside

Big carton  
538L\*285W\*288Hmm  
(21.18"L\*11.22"W\*11.34"H)  
6pcs Ceiling Light inside

Installation Instructions and Warnings:

- Turn off power before inspection, installation, or removal.
- Not for use where exposed to the weather
- Do not use in totally enclosed fixtures.
- Not for use with dimmers.