

1W SMT Ceramic Package Top View
Pure Green LED
Technical Data Sheet

Part No.: C3535PGC-G5H-Q65

Features:

- ◇ Small SMT ceramic package with high efficiency.
- ◇ Maximum drive current up to 350mA.
- ◇ ESD protection up to 8KV.
- ◇ Low thermal resistance as low as 4°C/W.
- ◇ Wide viewing angle.
- ◇ Soldering method: SMT.
- ◇ Binning Parameters: Brightness, Forward.
- ◇ Voltage, Wavelength and Chromaticity.
- ◇ Moisture Sensitivity Level: 1.
- ◇ Matches ANSI binning.
- ◇ Reliability testing conforms to IESNA LM80.
- ◇ Lumen maintenance test method.
- ◇ Reflow soldering with JEDEC JSTD-020C compatible.
- ◇ The product itself will remain within RoHS compliant Version.

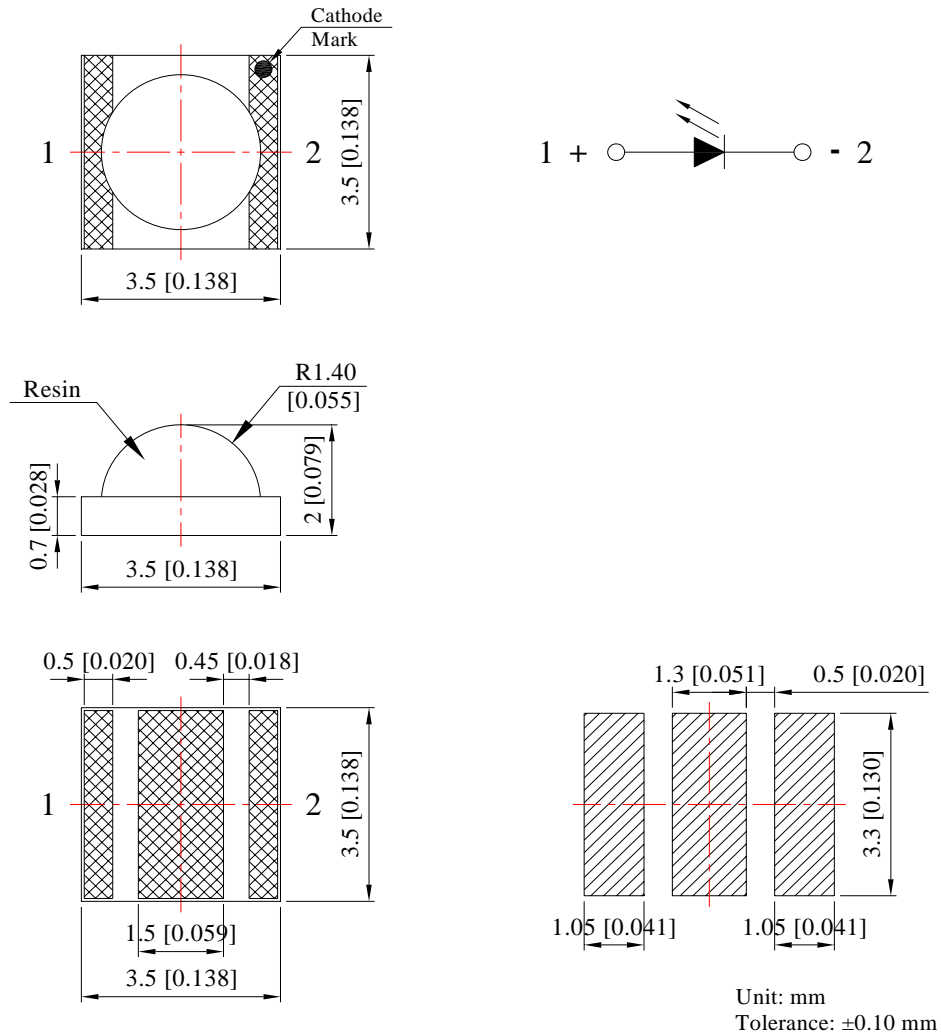
Descriptions:

- ◇ The C3535 series is a surface-mount high-power device featuring high brightness combined with a compact size that is suitable for all kinds of lighting applications such as general illumination, flash, spot, signal, industrial and commercial lighting. The thermal pad of this device is electrically isolated providing convenience in thermal and electrical design.
- ◇ The C3535 series is one of the most promising devices in **Lucky Light's** high power product offering and is ready to face the challenges of today's Solid-State Lighting requirements.

Applications:

- ◇ General Lighting.
- ◇ General luminaire.
- ◇ Decorative and Entertainment Lighting.
- ◇ Signal and Symbol Luminaries for orientation marker lights (e.g. steps, exit ways, etc.).
- ◇ Exterior and Interior Automotive.
- ◇ Illumination.
- ◇ Agriculture Lighting.
- ◇ Bulb.
- ◇ Downlight.

Package Dimension:



Part No.	Chip Material	Lens Color	Emitting Color
C3535PGC-G5H-Q65	InGaN	Water Clear	Pure Green

Notes:

1. All dimensions are in millimeters (inches).
2. Tolerance is ± 0.10 mm (.004") unless otherwise specified.
3. Specifications are subject to change without notice.

Absolute Maximum Ratings at Ta=25°C

Parameters	Symbol	Max.	Unit
Power Dissipation	PD	1	W
Peak Forward Current (1/10 Duty Cycle, 0.1ms Pulse Width)	IFP	500	mA
Continuous Forward Current	IF	350	mA
Reverse Voltage	VR	5	V
Electrostatic Discharge (HBM)	ESD	8000	V
LED Junction Temperature	Tj	120	°C
Operating Temperature Range	Topr	-40°C to +85°C	
Storage Temperature Range	Tstg	-40°C to +100°C	
Soldering Temperature	Tsld	260°C for 5 Seconds	

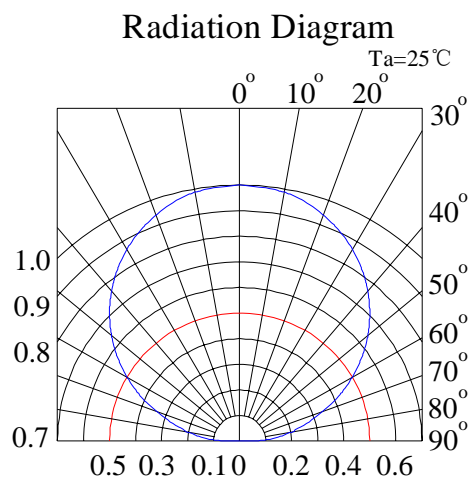
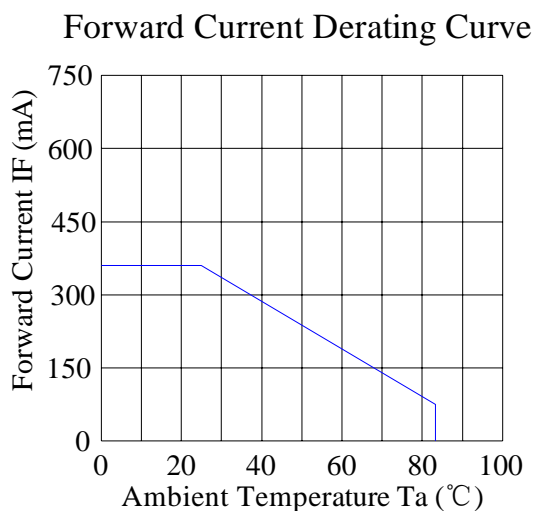
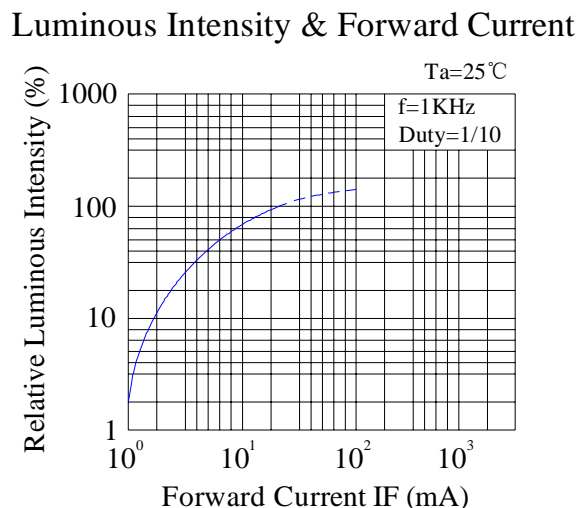
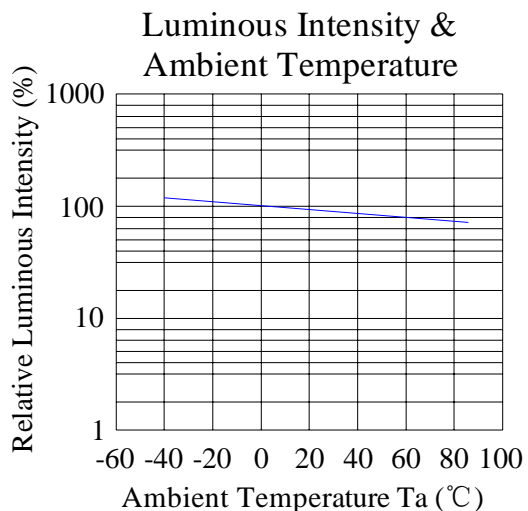
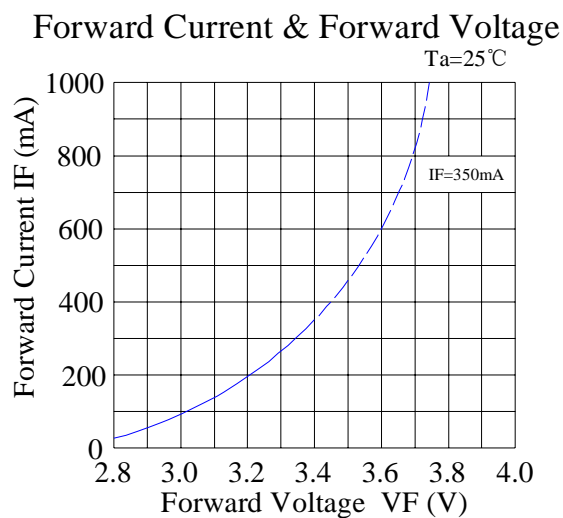
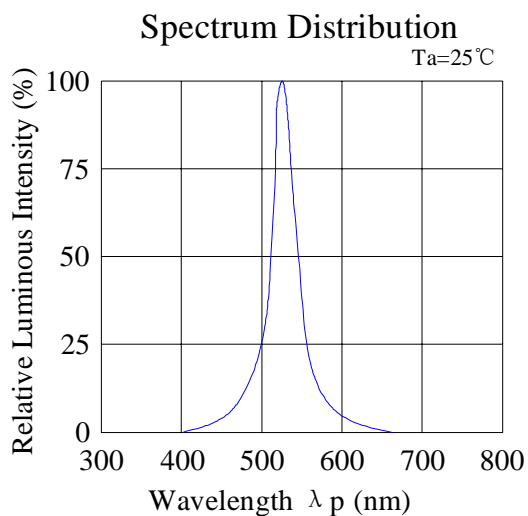
Electrical Optical Characteristics at Ta=25°C

Parameters	Symbol	Min.	Typ.	Max.	Unit	Test Condition
Luminous Flux *	Φ_v	65	85	---	lm	IF=350mA (Note 1)
Viewing Angle *	$2\theta_{1/2}$	---	120	---	Deg	IF=350mA (Note 2)
Peak Emission Wavelength	λ_p	---	520	---	nm	IF=350mA
Dominant Wavelength	λ_d	---	525	---	nm	IF=350mA (Note 3)
Spectrum Radiation Bandwidth	$\Delta\lambda$	---	35	---	nm	IF=350mA
Forward Voltage	VF	2.80	3.40	4.00	V	IF=350mA
Reverse Current	IR	---	---	50	μ A	VR=5V

Notes:

1. Luminous Intensity (Flux) measurement allowance is $\pm 10\%$.
2. $\theta_{1/2}$ is the off-axis angle at which the luminous intensity is half the axial luminous intensity.
3. The dominant wavelength (λ_d) is derived from the CIE chromaticity diagram and represents the single wavelength which defines the color of the device.

Typical Electrical / Optical Characteristics Curves (25°C Ambient Temperature Unless Otherwise Noted)



Reliability Test Items And Conditions:

The reliability of products shall be satisfied with items listed below:

Confidence level: 90%.

LTPD: 10%.

1) Test Items and Results:

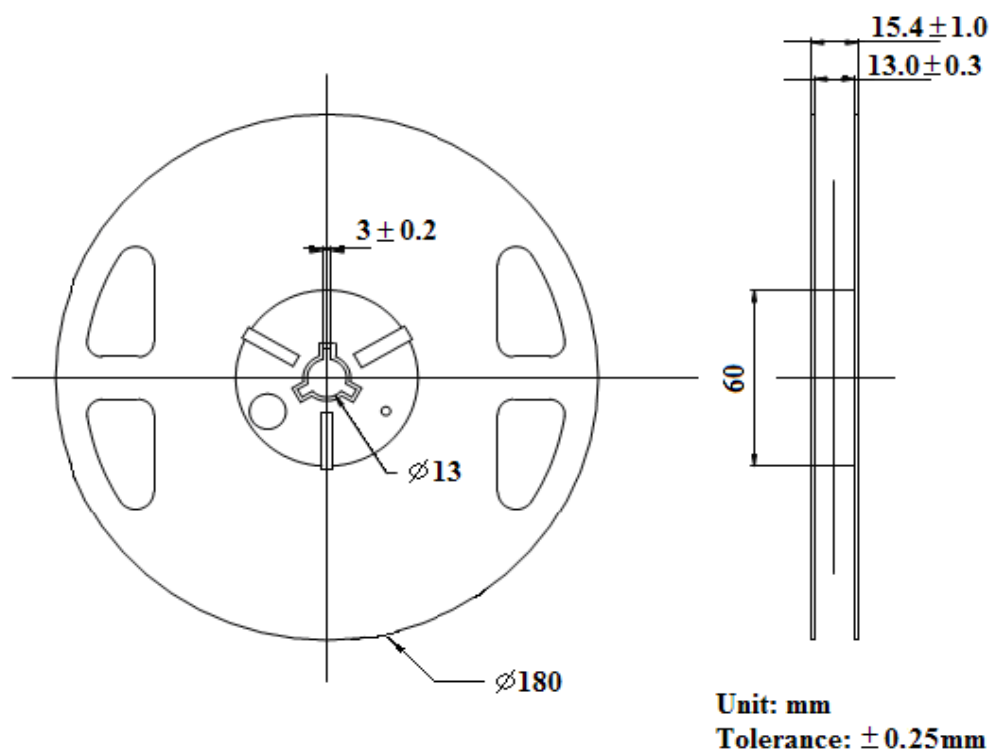
No.	Test Item	Test Hours/Cycles	Test Conditions	Sample Size	Ac/Re
1	Resistance to Soldering Heat	6 Min	Tsld=260±5℃, Min. 5sec	25pcs	0/1
2	Thermal Shock	300 Cycles	H: +100℃ 5min ∫ 10sec L: -10℃ 5min	25pcs	0/1
3	Temperature Cycle	300 Cycles	H: +100℃ 15min ∫ 5min L: -40℃ 15min	25pcs	0/1
4	High Temperature Storage	1000Hrs.	Temp: 100℃	25pcs	0/1
5	DC Operating Life	1000Hrs.	IF=350mA	25pcs	0/1
6	Low Temperature Storage	1000Hrs.	Temp: -40℃	25pcs	0/1
7	High Temperature/ High Humidity	1000Hrs.	85℃/85%RH	25pcs	0/1

2) Criteria for Judging the Damage:

Item	Symbol	Test Conditions	Criteria for Judgment	
			Min	Max
Forward Voltage	VF	IF=350mA	---	F.V.*)×1.1
Reverse Current	IR	VR=5V	---	F.V.*)×2.0
Luminous Intensity	IV	IF=350mA	F.V.*)×0.7	---

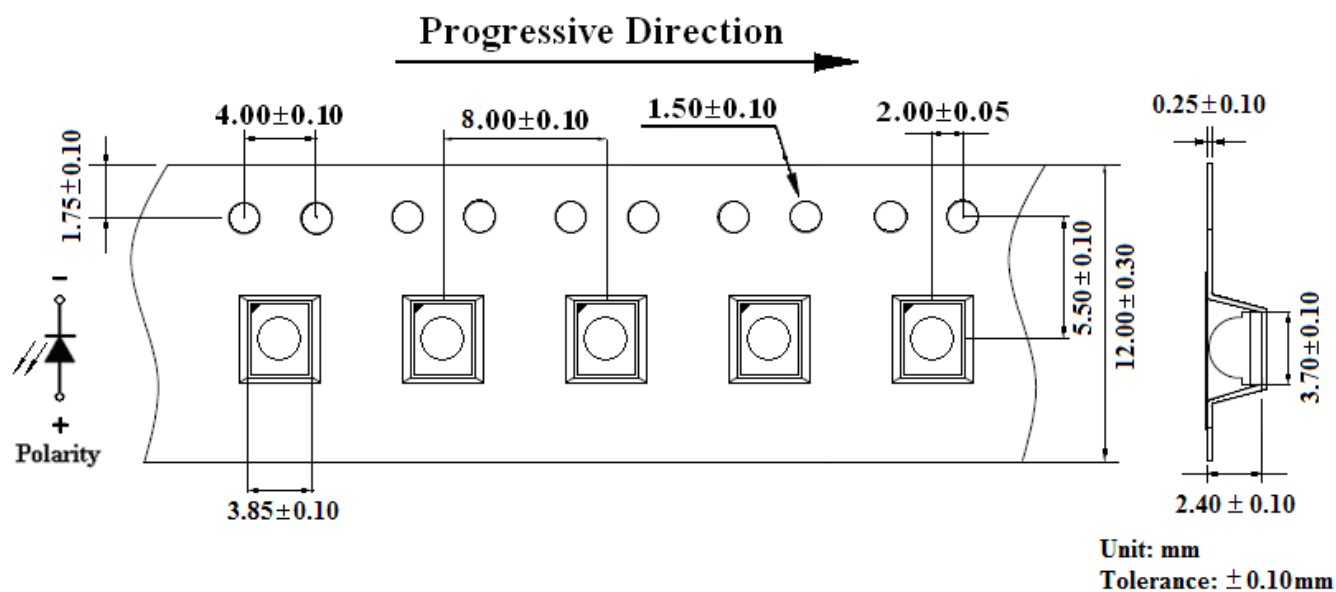
*) F.V.: First Value.

Reel Dimensions:



Carrier Tape Dimensions:

Loaded quantity 800 or 1000PCS per reel.



Please read the following notes before using the product:

1. Over-current-proof

Customer must apply resistors for protection, otherwise slight voltage shift will cause big current change (Burn out will happen).

2. Storage

2.1 Do not open moisture proof bag before the products are ready to use.

2.2 Before opening the package, the LEDs should be kept at 30°C or less and 80%RH or less.

2.3 The LEDs should be used within a year.

2.4 After opening the package, the LEDs should be kept at 30°C or less and 60%RH or less.

2.5 The LEDs should be used within 168 hours (7 days) after opening the package.

2.6 If the moisture adsorbent material has fabled away or the LEDs have exceeded the storage time, baking treatment should be performed using the following conditions. Baking treatment: 60±5°C for 24 hours.

3. Soldering Condition

When soldering, for Lamp without stopper type and must be leave a minimum of 3mm clearance from the base of the lens to the soldering point.

To avoided the Epoxy climb up on lead frame and was impact to non-soldering problem, dipping the lens into the solder must be avoided.

Do not apply any external stress to the lead frame during soldering while the LED is at high temperature.

Recommended soldering conditions:

Soldering Iron		Wave Soldering	
Temperature	300°C Max.	Pre-heat	100°C Max.
Soldering Time	3 sec. Max. (one time only)	Pre-heat Time	60 sec. Max.
		Solder Wave	260°C Max.
		Soldering Time	5 sec. Max.

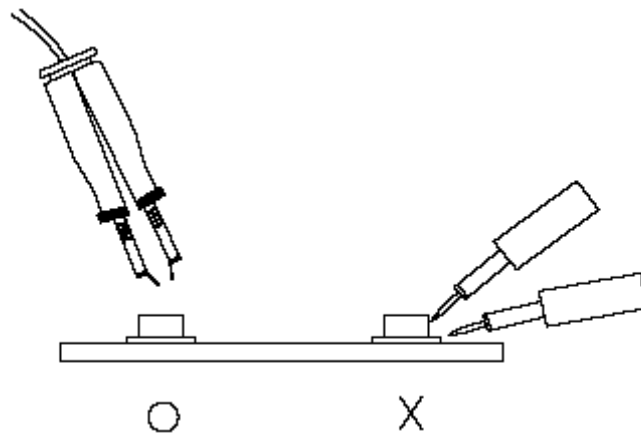
Note: Excessive soldering temperature and / or time might result in deformation of the LED lens or catastrophic failure of the LED.

4. Soldering Iron

Each terminal is to go to the tip of soldering iron temperature less than 260°C for 5 seconds within once in less than the soldering iron capacity 25W. Leave two seconds and more intervals, and do soldering of each terminal. Be careful because the damage of the product is often started at the time of the hand solder.

5. Repairing

Repair should not be done after the LEDs have been soldered. When repairing is unavoidable, a double-head soldering iron should be used (as below figure). It should be confirmed beforehand whether the characteristics of the LEDs will or will not be damaged by repairing.



6. Caution in ESD

Static Electricity and surge damages the LED. It is recommended to use a wrist band or anti-electrostatic glove when handling the LED. All devices, equipment and machinery must be properly grounded.